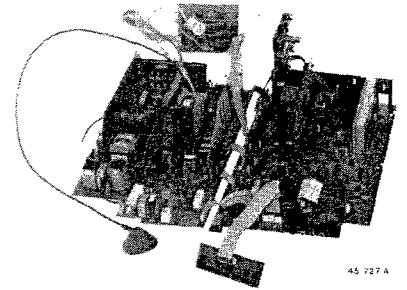
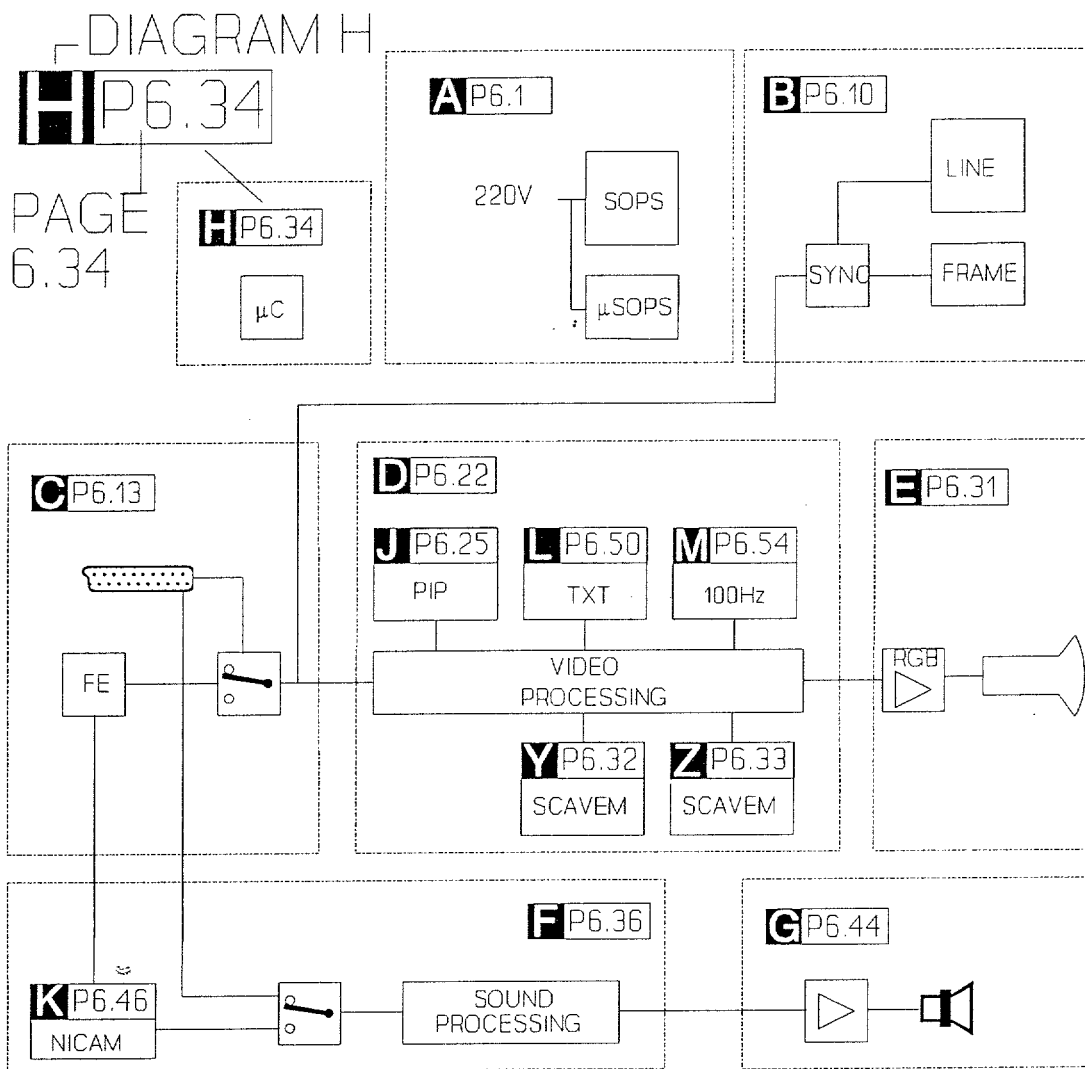


Service
Service
Service



Service Manual

Contents	Page
1. Block diagram and technical data	1.2
2. Connection facilities	2.1
3. Warnings and notes	3.1
4. Mechanical instructions	4.1
5. Detailed block diagram	5.1
6. Electrical diagrams and PCB layouts	
Power supply (Diagram A)	6.1
Field and line output stage (Diagram B)	6.10
Tuner, Source selection (Diagram C)	6.13
Video processing (Diagram D)	6.22
PIP module (Diagram J)	6.25
Picture tube panel (Diagram E)	6.30
SCAVEM filter (Diagram Y)	6.32
SCAVEM amplifier (Diagram Z)	6.33
Operation (Diagram H)	6.34
Sound processing (Diagram F)	6.36
Sound output amplifier (Diagram E)	6.44
NICAM module (Diagram K)	6.46
High-End box (Diagram L)	6.50
High-End box (Diagram M)	6.54
7. Electrical settings	7.1
8. List of error messages and repair tips	8.1
9. List of menus	9.1
10. Electrical parts lists	10.1

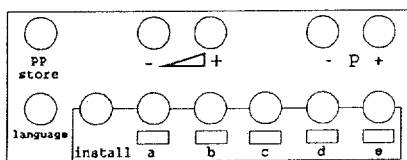


Technical data

Mains voltage: 220 - 240 V (± 10%) 50 - 60 Hz (± 5%)
 Aerial input impedance: 75Ω - coax
 Minimum aerial voltage: 30μV (VHF)/40μV (UHF)
 Maximum aerial voltage VHF/S/UHF: 180μV
 Pull-in range colour synchronization: + 300Hz/-300Hz
 Pull-in range horizontal synchronization: + 200Hz/-300Hz

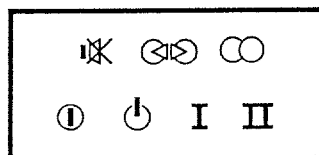
Programmes: 0-59
 VCR programmes: 0, 00, 50-59

Local operation functions:



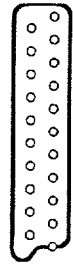
Indications:

- On Screen Display (OSD)
- LED:



1. Specification of the connectors

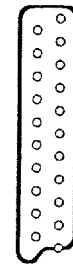
EXT1 (AUX)



- 1 - Audio \oplus R (0,5V RMS \leq 1k Ω)
- 2 - Audio \ominus R (0,2 - 2V RMS \geq 10k Ω)
- 3 - Audio \oplus L (0,5V RMS \leq 1k Ω)
- 4 - Audio \perp
- 5 - Blue \perp
- 6 - Audio \ominus L (0,2 - 2V RMS \geq 10k Ω)
- 7 - Blue (0,7V_{pp}/75 Ω)
- 8 - CVBS-status 1 \ominus 0- 2V: int.
4,5-7V: ext.16:9
9,5-12V: ext. 4:3
- 9 - Green \perp
- 10 - -
- 11 - Green (0,7V_{pp}/75 Ω)
- 12 - -
- 13 - Red \perp
- 14 - -
- 15 - Red (0,7V_{pp}/75 Ω)
- 16 - RGB-status (0-0,4V: int. 1-3V ext.
75 Ω)
- 17 - CVBS \perp
- 18 - CVBS \perp
- 19 - CVBS \oplus (1V_{pp}/75 Ω)
- 20 - CVBS \ominus (1V_{pp}/75 Ω)
- 21 - Earthscreen



EXT2 (VCR)



- 1 - Audio \oplus R (0,5V RMS \leq 1k Ω)
- 2 - Audio \ominus R (0,2 - 2V RMS \geq 10k Ω)
- 3 - Audio \oplus L (0,5V RMS \leq 1k Ω)
- 4 - Audio \perp
- 5 - -
- 6 - Audio \ominus L (0,2 - 2V RMS \geq 10k Ω)
- 7 - -
- 8 - CVBS-status 2 \ominus 0- 2V: int.
4,5-7V: ext.16:9
9,5-12V: ext. 4:3
- 9 - -
- 10 - -
- 11 - -
- 12 - -
- 13 - -
- 14 - -
- 15 - -
- 16 - -
- 17 - CVBS \perp
- 18 - CVBS \perp
- 19 - CVBS \oplus (1V_{pp}/75 Ω)
- 20 - CVBS \ominus (1V_{pp}/75 Ω)
- 21 - Earthscreen



EXT3 (front)

SVHS



- 1 - \perp
- 2 - \perp
- 3 - Y \ominus (1V_{pp}; 75 Ω)
- 4 - C \ominus (0,3V_{pp}; 75 Ω)

- \odot CINCH Video \ominus 300mV_{pp}/75 Ω
- \odot CINCH Audio \ominus L (0,5V RMS; \geq 10k Ω)
- \odot CINCH Audio \ominus R (0,5V RMS; \geq 10k Ω)
- \odot 32-2000 Ω \geq 10mW

Audio out

- \odot CINCH Audio \oplus L (0,5V RMS; \leq 1k Ω)
- \odot CINCH Audio \oplus R (0,5V RMS; \leq 1k Ω)



front : 2 x 16W / 8 Ω
rear : 2 x 6W / 8 Ω

EXT2' (SVHS)

SVHS



- 1 - \perp
- 2 - \perp
- 3 - Y \ominus (1V_{pp}; 75 Ω)
- 4 - C \ominus (0,3V_{pp}; 75 Ω)

- \odot CINCH Audio \ominus L (0,5V RMS; \geq 10k Ω)
- \odot CINCH Audio \ominus R (0,5V RMS; \geq 10k Ω)

SVHS



- 1 - \perp
- 2 - \perp
- 3 - Y \ominus (1V_{pp}; 75 Ω)
- 4 - C \ominus (0,3V_{pp}; 75 Ω)

- \odot CINCH Audio \ominus L (0,5V RMS; \leq 1k Ω)
- \odot CINCH Audio \ominus R (0,5V RMS; \leq 1k Ω)

2. Connection of equipment

When an SVHS source is connected to EXT2'(SVHS) or EXT3 (SVHS) the CVBS at these inputs is switched off. To reproduce the CVBS signal from these inputs, the particular SVHS plug must first be removed.

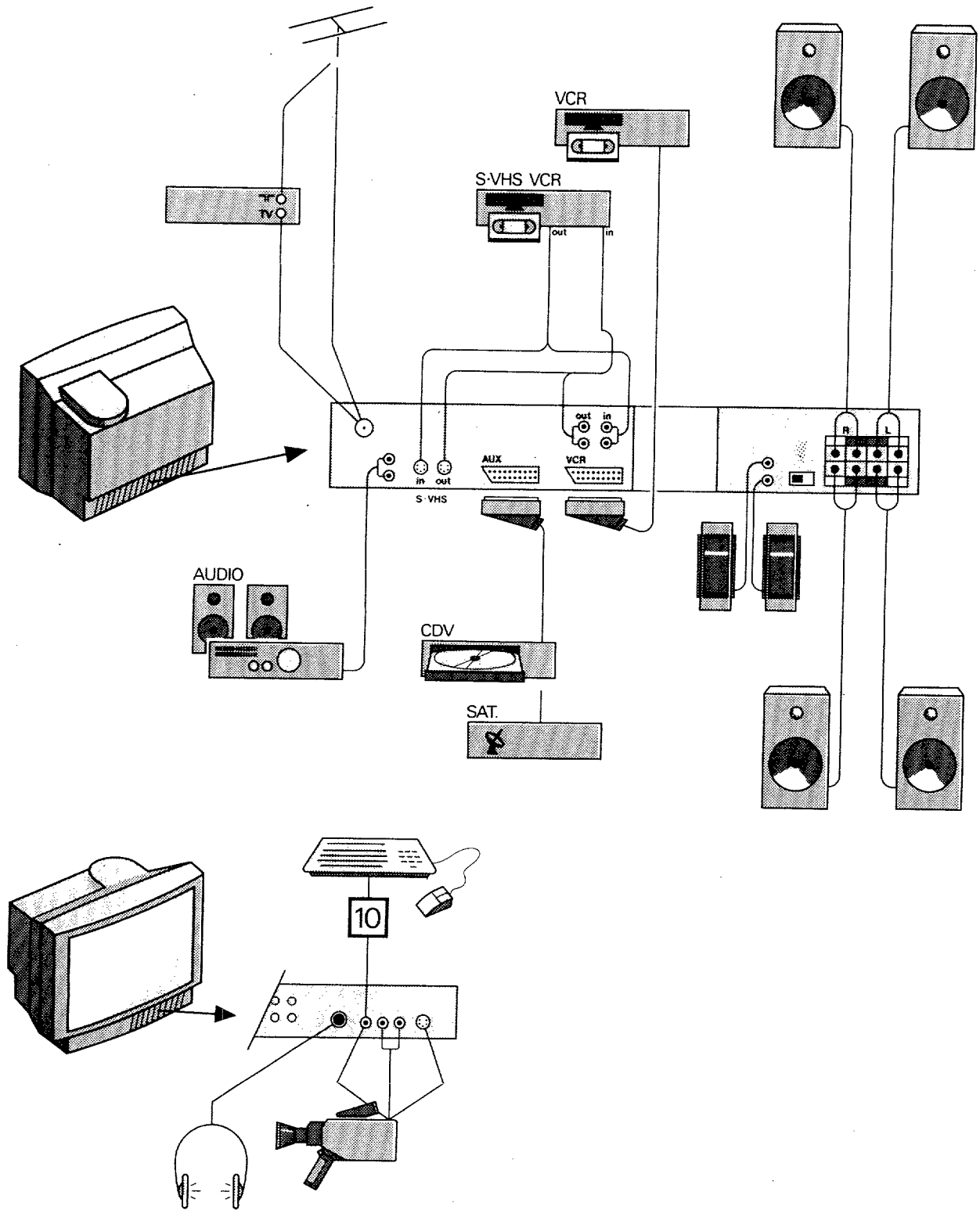




Fig. 2.1

1. Safety regulations require that the unit should be returned in its original condition and that components identical to the original components are used. The safety components are indicated by the symbol 
2. In order to prevent damage to ICs and transistors, all high-voltage flashovers must be avoided. In order to prevent damage to the picture tube, the method shown in Fig. 3.1 should be used to discharge the picture tube. Use a high-voltage probe and a multimeter (position DC-V). Discharge until the meter reading is 0V (after approx. 30s).
3. **ESD**  All ICs and many other semiconductors are sensitive to electrostatic discharges (ESD). Careless handling during repair can drastically shorten the life. Make sure that during repair you are connected by a pulse band with resistance to the same potential as the earth of the unit. Keep components and tools also at this same potential.
4. When repairing a unit, always connect it to the mains voltage via an isolating transformer.
5. Be careful when taking measurements in the high-voltage section and on the picture tube.
6. Never replace modules or other components while the unit is switched on.
7. It is recommended that safety goggles are worn when replacing the picture tube.
8. When making settings, use plastic rather than metal tools. This will prevent any short circuits and the danger of a circuit becoming unstable.
9. After repair the wiring should be fastened once more in the cable clamps for this purpose.
10. In order to prevent measuring errors, the heat sinks should not be used as reference points for measurements. **The heat sink for the sound output amplifier (next to the channel selector) is connected to the -11 volts.**
11. On this unit the 140 volt supply voltage is not supplied via an interconnection on the deflection yoke to the line output transformer. When the deflection cable is detached, the +140 volt supply remains loaded. In order to unload the +140 volts, coil 5511 should be removed.
12. Together with the deflection unit and any multipole unit, the flat square picture tubes used form an integrated unit. The deflection and the multipole units are set optimally at the factory. Adjustment of this unit during repair is therefore not recommended.

1. The direct voltages and oscillograms should be measured with regard to the tuner earth (\perp), or hot earth (\perp) as this is called.
2. The direct voltages and oscillograms shown in the diagrams should be measured in the **Service Default Mode** (see chapter 8) with a colour bar signal and stereo sound (L: 3 kHz, R: 1 kHz unless stated otherwise) and picture carrier at 475.25 MHz.
3. Where necessary, the oscillograms and direct voltages are measured with (\perp) and without aerial signal (\times). Voltages in the power supply section are measured both for normal operation (\textcircled{D}) and in standby (\textcircled{S}). These values are indicated by means of the appropriate symbols.
4. The picture tube PCB has printed spark gaps. Each spark gap is connected between an electrode of the picture tube and the Aquadag coating.
5. The semiconductors indicated in the circuit diagram and in the parts lists are completely interchangeable per position with the semiconductors in the unit, irrespective of the type indication on these semiconductors.
6. The connectors used for the modules (board to board) are gold-plated and should only be replaced by the same type.
7. In the case of error searching and/or repair to the PIP module, the accessibility of the circuit and the components can be increased by using extension cards.
5 times: 4822 395 30261
10 times: 4822 395 30257

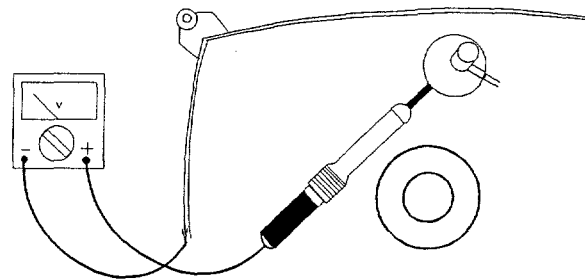


Fig 3.1

Mechanical instructions

1. Removing the back plate

Remove cover A (Fig. 4.1) from the back plate.
Remove connector B (LI36) of the subwoofer.
Remove attachment screws C from the back plate.
Remove the back plate with the subwoofer fitted in it. Attach the back plate by carrying out the above in the reverse order.

2. Service position to measure test points (Fig. 4.2)

Unlock the chassis panels by pressing locks D.
Pull both chassis panels backwards at the same time until all measuring points are accessible.

3. Service position for repair (Fig. 4.3)

Remove the LED display E (see Fig. 4.2) of the large signal panel.
Tilt the back of the two panels and attach both panels using brackets F situated on the underside of the small signal panel, at an angle of 90° to one another.

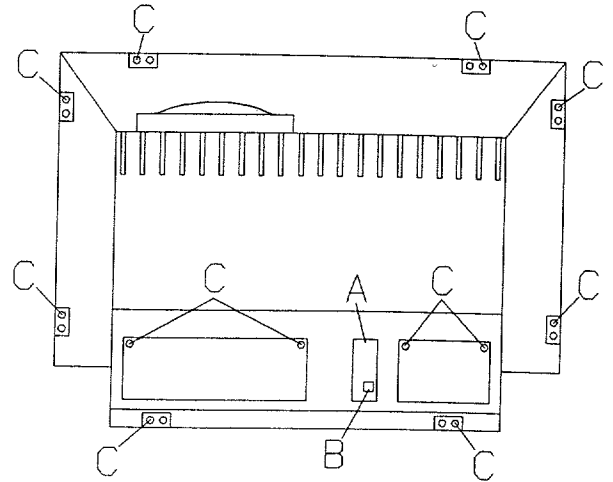


Fig 4.1

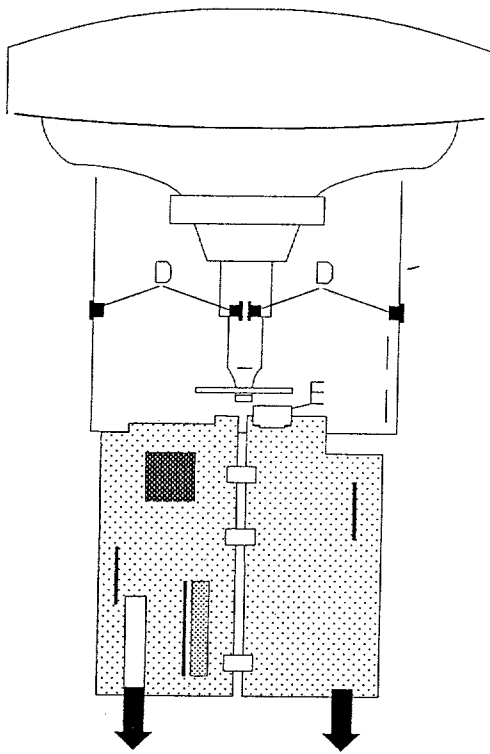


Fig 4.2

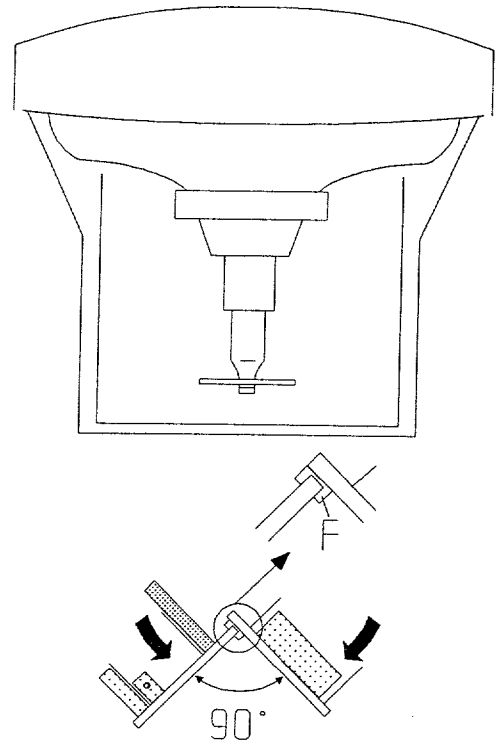
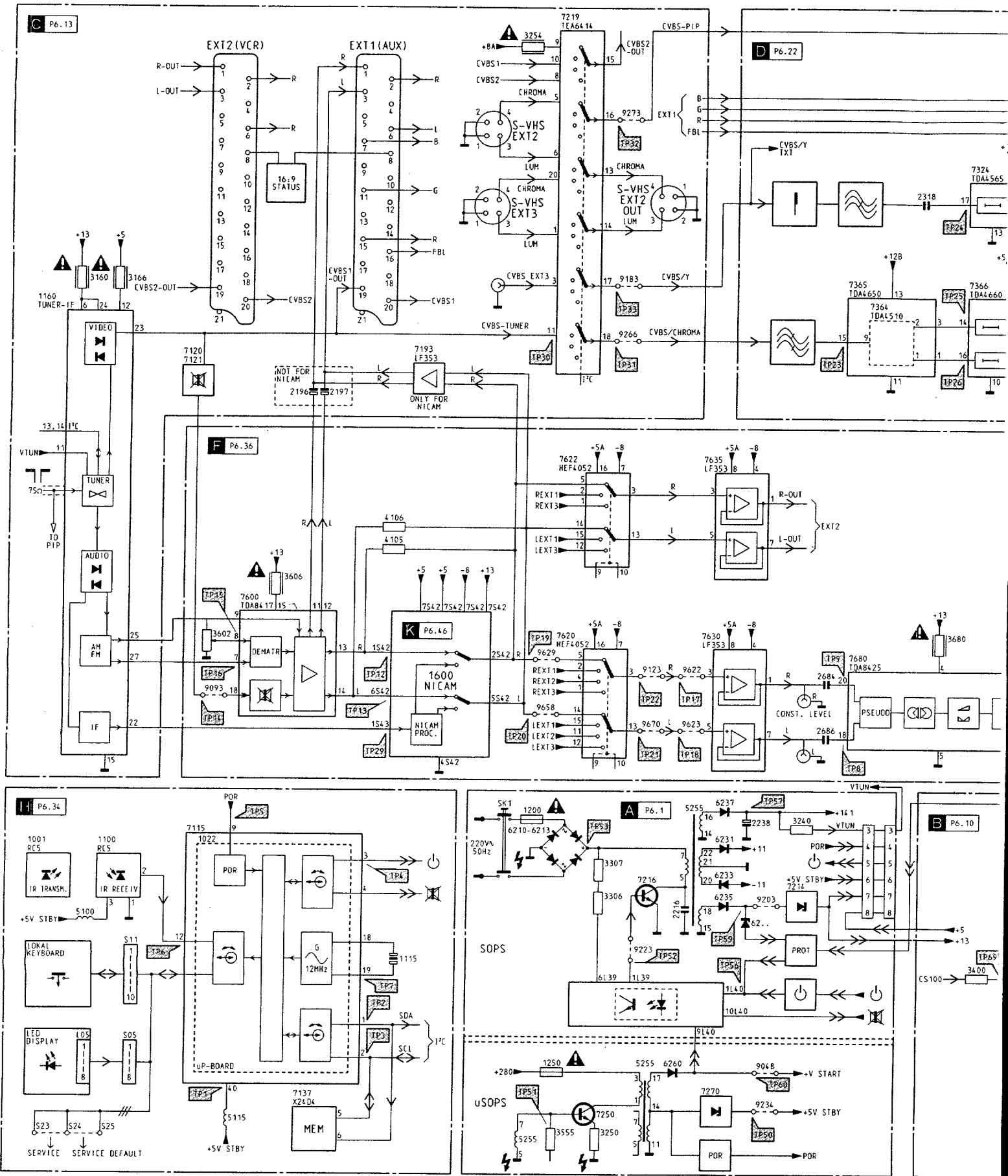
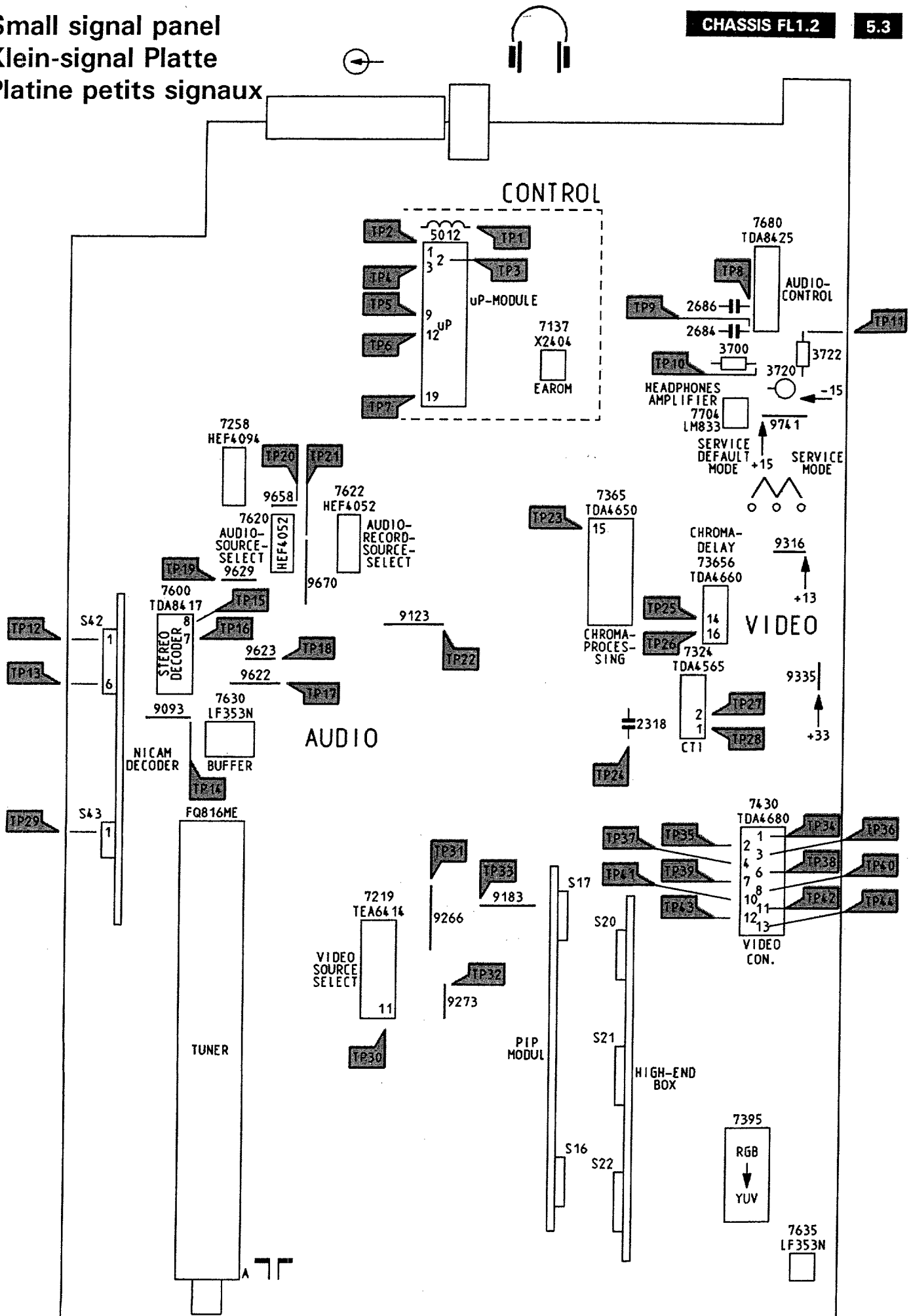


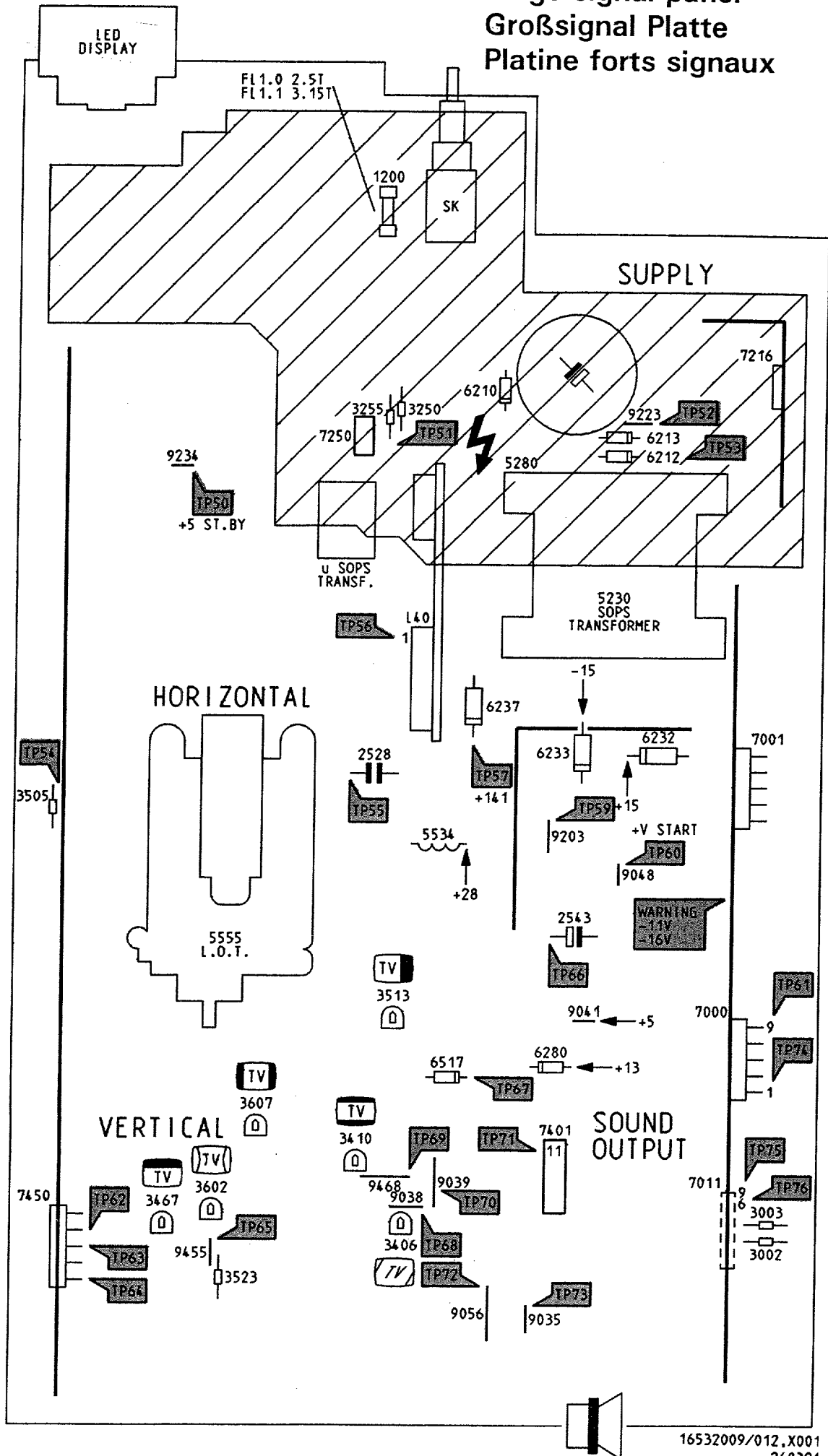
Fig 4.3



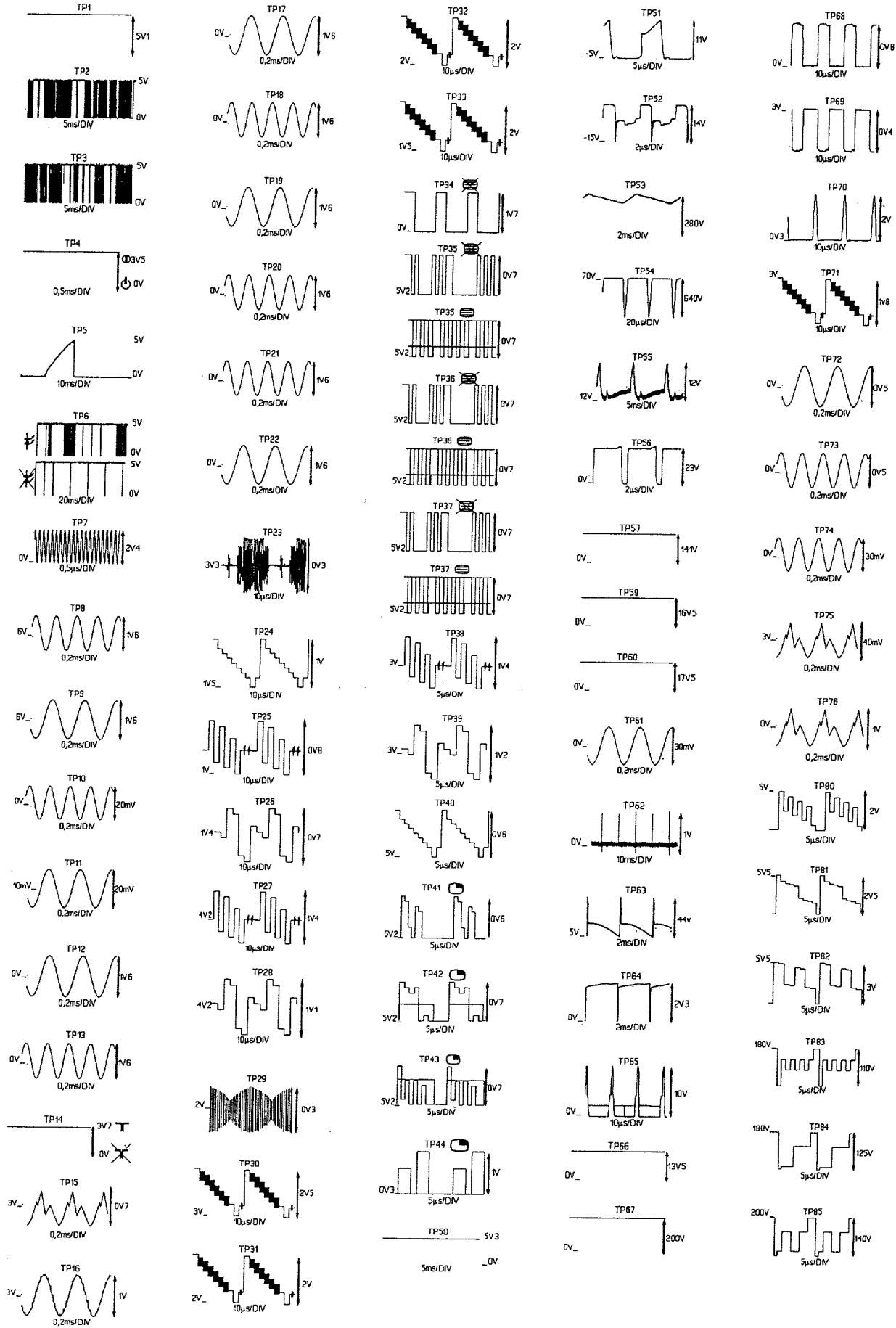
Small signal panel
 Klein-signal Platte
 Platine petits signaux



Large signal panel Großsignal Platte Platine forts signaux



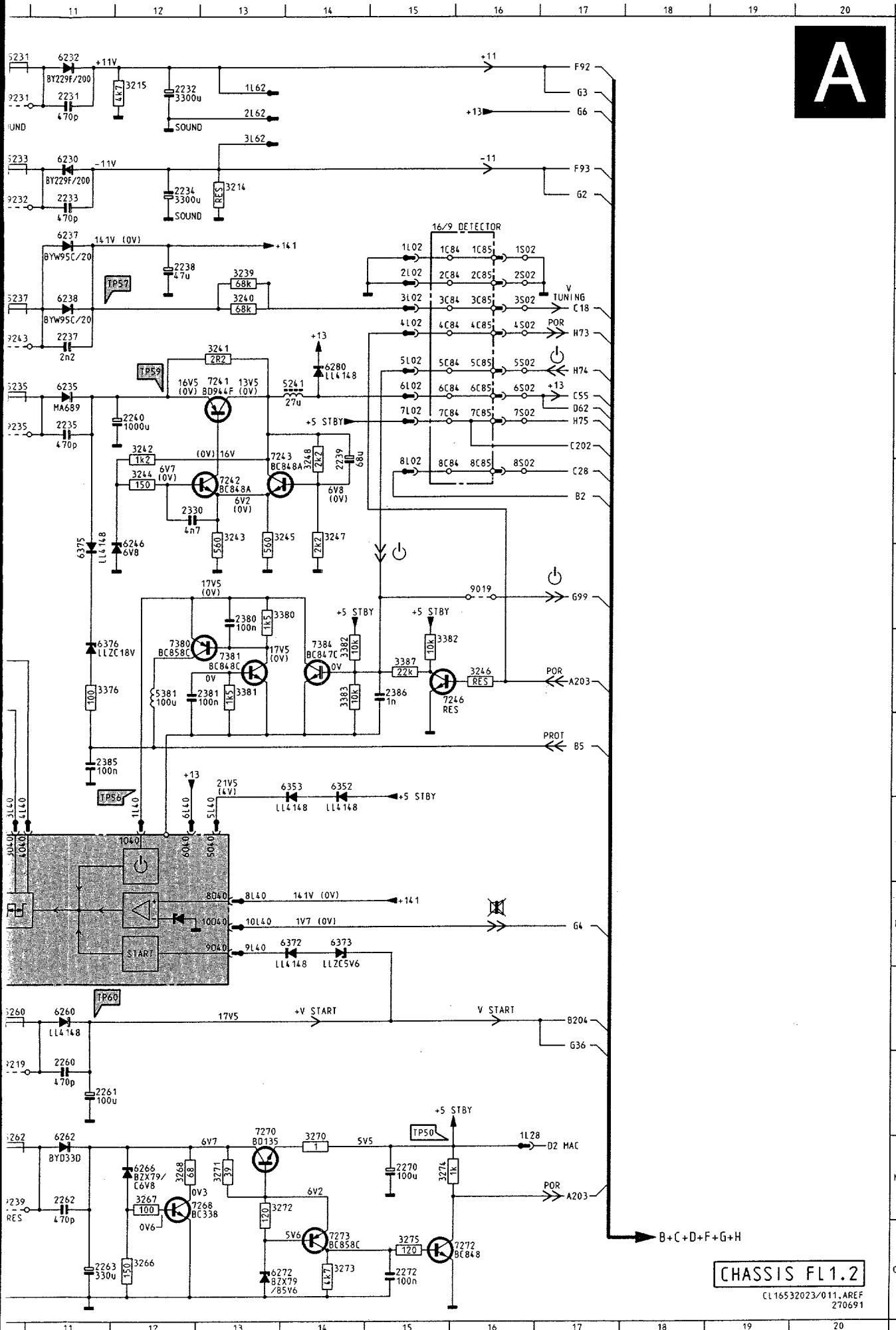
Oscilloscopes



Alimentation

CHASSIS FL1.2

6.2



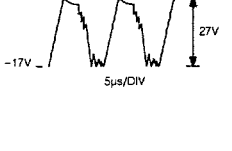
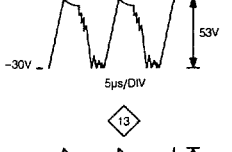
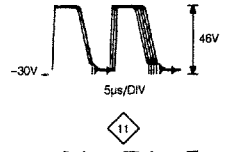
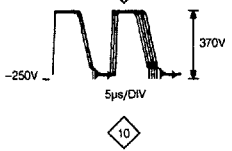
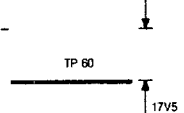
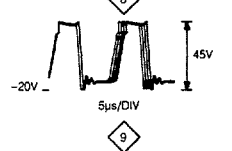
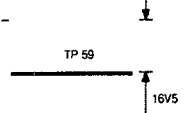
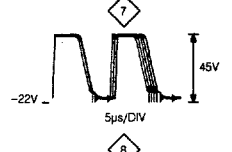
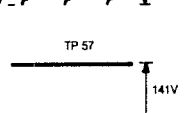
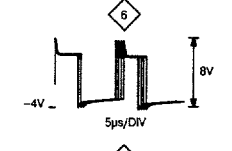
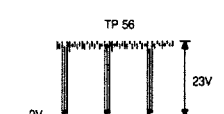
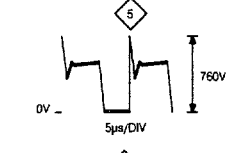
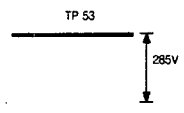
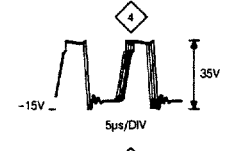
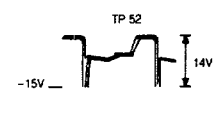
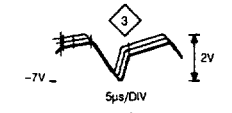
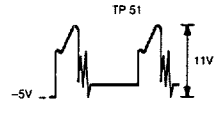
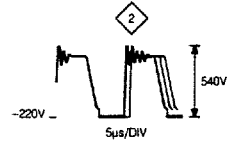
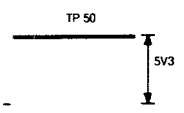
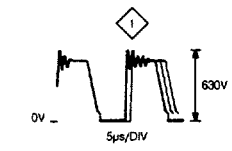
1200	B 2	6352	I 14
1250	L 8	6353	I 14
2200	C 2	6372	K 14
2202	B 3	6373	K 14
2203	B 4	6375	G 11
2205	B 3	6376	H 11
2210	B 8	7201	N 6
2211	C 8	7216	F 8
2214	D 9	7241	E 13
2215	I 6	7242	F 13
2216	F 9	7243	F 13
2218	E 9	7246	H 15
2231	A 11	7250	N 7
2232	A 12	7251	N 8
2233	B 11	7268	M 12
2234	B 12	7270	M 13
2235	E 11	7272	O 16
2237	D 11	7273	O 14
2238	C 12	7321	I 8
2239	E 14	7380	H 12
2240	E 12	7381	H 13
2250	N 7	7384	H 14
2254	M 9	9019	G 16
2255	N 9	9204	A 4
2258	O 5	9205	B 6
2260	M 11	9206	C 6
2261	M 11	9207	B 3
2262	M 11	9208	C 3
2263	O 11	9218	B 5
2270	M 15	9219	M 10
2272	O 15	9223	H 7
2330	F 12	9231	A 10
2380	G 13	9232	B 10
2381	H 12	9235	E 10
2385	I 11	9239	N 10
2386	H 15	9242	A 6
3201	D 1	9243	D 10
3202	I 6		
3203	C 5		
3204	B 5		
3204	C 5		
3209	C 6		
3210	C 7		
3211	B 7		
3212	N 5		
3213	O 5		
3214	B 13		
3215	A 12		
3216	G 9		
3239	C 13		
3240	D 13		
3241	D 13		
3242	E 12		
3243	F 13		
3244	F 12		
3245	F 13		
3246	H 16		
3247	F 14		
3248	E 14		
3249	M 8		
3250	O 7		
3251	N 7		
3252	L 8		
3253	L 9		
3255	N 9		
3266	O 12		
3267	N 12		
3268	N 12		
3270	N 14		
3271	N 13		
3272	N 13		
3273	O 14		
3274	N 15		
3275	O 15		
3306	H 7		
3376	H 11		
3380	G 13		
3381	H 13		
3382	H 14		
3382	H 15		
3383	H 14		
3387	H 15		
5202	C 3		
5203	A 5		
5204	A 4		
5205	C 3		
5230	A 9		
5231	A 10		
5233	B 10		
5235	E 10		
5237	D 10		
5241	E 14		
5255	L 9		
5260	L 10		
5262	N 10		
5381	H 12		
6201	O 8		
6210	C 8		
6211	C 8		
6212	C 9		
6213	B 9		
6216	G 8		
6230	B 11		
6232	A 11		
6235	E 11		
6237	C 11		
6238	D 11		
6246	G 12		
6251	O 8		
6260	L 11		
6262	N 11		
6266	N 12		
6272	O 13		
6280	D 14		
6306	H 7		
6321	I 8		

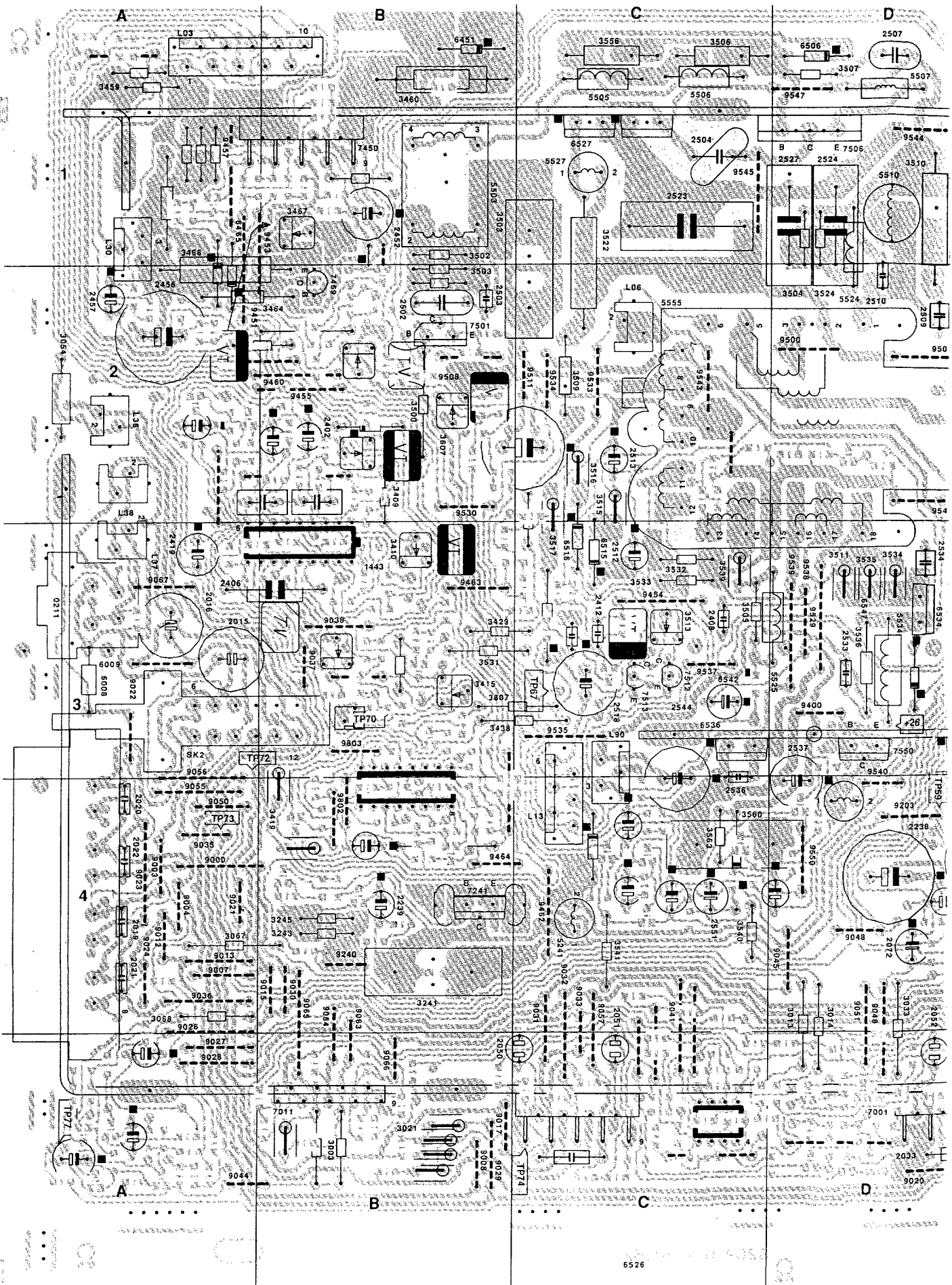
CHASSIS FL1.2

CL 16532023/011,AREF 270691

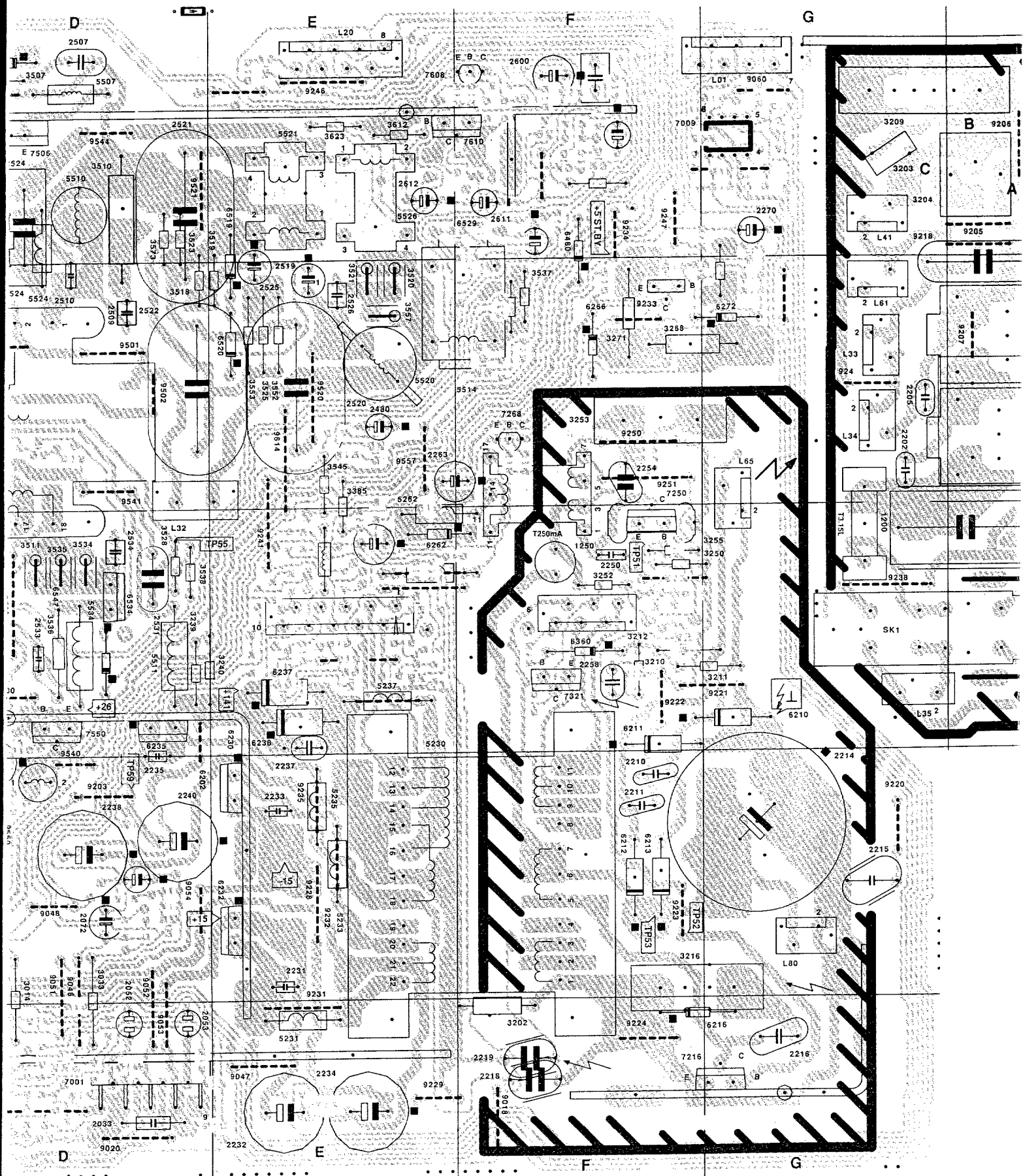
6.3 CHASSIS FL1.2

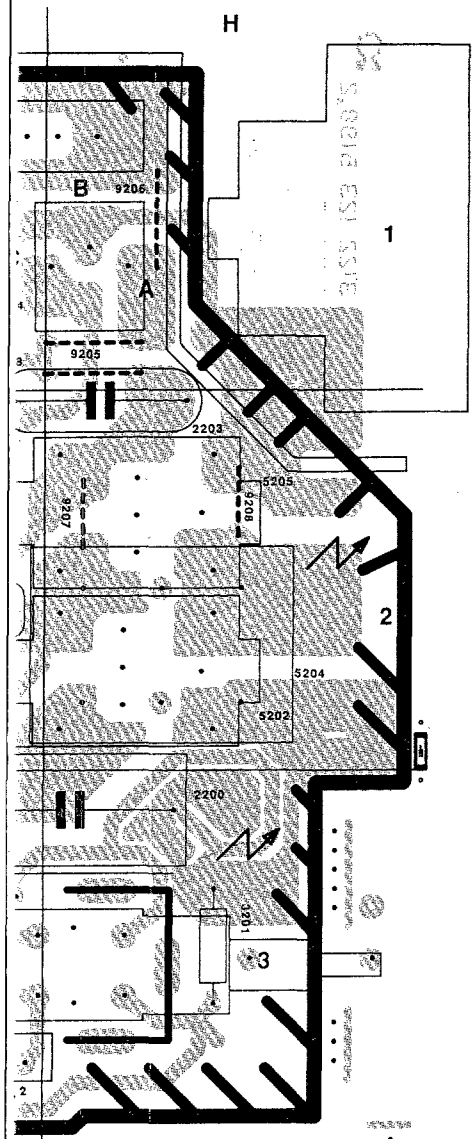
- 6352 I14
- 6353 I14
- 6372 K14
- 6373 K14
- 6375 G11
- 6376 H11
- 7201 N 6
- 7216 F 8
- 7241 E13
- 7242 F13
- 7243 F13
- 7246 H15
- 7250 N 7
- 7251 N 8
- 7268 N12
- 7270 M13
- 7272 O16
- 7273 O14
- 7321 I 8
- 7380 H12
- 7381 H13
- 7384 H14
- 9019 G16
- 9204 A 4
- 9205 B 6
- 9206 C 6
- 9207 B 3
- 9208 C 3
- 9218 B 5
- 9219 M10
- 9223 H 7
- 9231 A10
- 9232 B10
- 9235 E10
- 9239 N10
- 9242 A 6
- 9243 D10



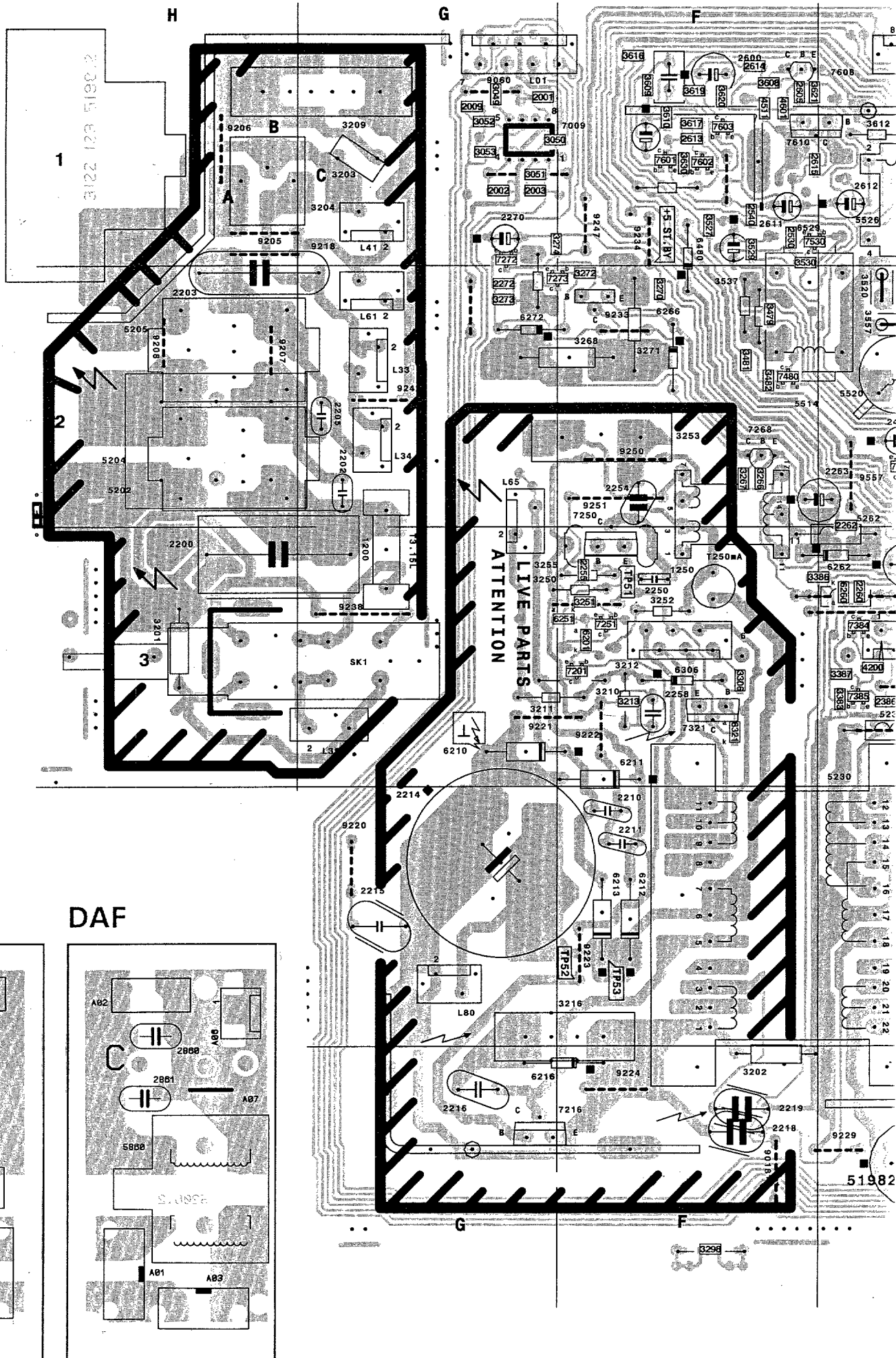


Platine forts signaux

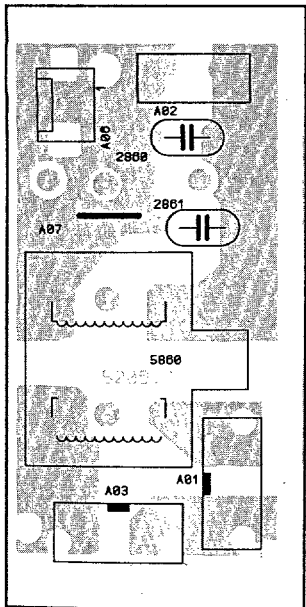




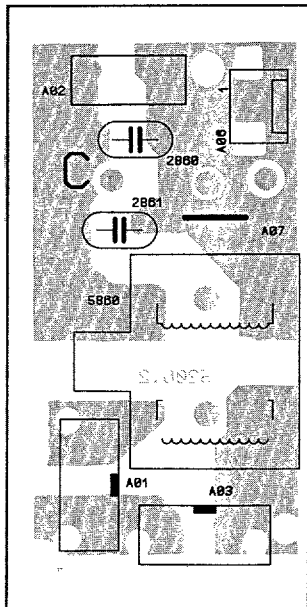
0207 A4	2417 B3	3054 A2	3470 A1	4511 F1	7009 G1	9206 H1
0211 A3	2418 A3	3060 B5	3473 B1	4512 D4	7010 A5	9207 H2
1200 G3	2419 A3	3065 C4	3479 F2	4601 F1	7011 B5	9208 H2
1240 C4	2450 A1	3066 C5	3480 B1	4602 B4	7012 D4	9216 G2
1250 F3	2451 B1	3067 A4	3481 F2	4603 B3	7013 A5	9217 G2
2001 G1	2452 B1	3068 A4	3482 F2	4604 B3	7201 F3	9218 H1
2002 G1	2455 B1	3069 A5	3484 B3	5202 H2	7216 G5	9219 E3
2003 G1	2456 A2	3072 A4	3485 E2	5204 H2	7241 B4	9220 G4
2007 B5	2457 A2	3073 A5	3500 B2	5205 H2	7242 B4	9221 G3
2008 B5	2458 B1	3074 A5	3501 C2	5210 D2	7243 B4	9222 F3
2009 G1	2459 B1	3201 H3	3502 B1	5230 F4	7246 E1	9223 F4
2011 D5	2460 B1	3202 F5	3503 B2	5231 E5	7246 E1	9224 F5
2012 C5	2461 B1	3203 G1	3504 D1	5233 E4	7250 F3	9225 E3
2013 C5	2480 E2	3204 G1	3505 C3	5235 E4	7251 F3	9228 E4
2015 A3	2501 B2	3209 G1	3506 C1	5237 E3	7268 F2	9229 E5
2016 A3	2502 B2	3210 F3	3507 D1	5241 C4	7270 F2	9230 F3
2017 A5	2503 B2	3211 G3	3508 C2	5255 F3	7272 G1	9231 E5
2018 A5	2504 C1	3212 G3	3509 C2	5260 E3	7272 F2	9232 E4
2019 A4	2507 D1	3213 F3	3510 D1	5262 E3	7380 E3	9233 F2
2020 A4	2509 D2	3214 E5	3511 D2	5381 E3	7381 E3	9234 F1
2021 A4	2510 D2	3215 E5	3512 D2	5503 B1	7384 E3	9235 E4
2022 A4	2511 C2	3216 F4	3513 C3	5505 C1	7385 E3	9238 G3
2023 A3	2512 C3	3239 D3	3514 F2	5506 C1	7400 B3	9240 B4
2024 A3	2513 C2	3240 D3	3515 C2	5507 D1	7401 B4	9241 E3
2026 B5	2517 C3	3241 B4	3516 C2	5510 D1	7402 C3	9242 G2
2027 C5	2518 C3	3242 B4	3517 C2	5511 D3	7417 B3	9243 E3
2028 B5	2519 E2	3243 B4	3518 D2	5514 F2	7444 A2	9246 E1
2029 B5	2520 E2	3244 B4	3519 E2	5520 E2	7444 A2	9247 F1
2031 C5	2521 D1	3254 B4	3520 E2	5521 E1	7450 B1	9250 F2
2032 B5	2522 D1	3246 E1	3521 E2	5524 D2	7451 A1	9251 F2
2033 D5	2523 C1	3247 B4	3523 D1	5525 D3	7469 B2	9400 D3
2035 C5	2524 D1	3248 B4	3524 D2	5526 E1	7480 F2	9451 A1
2038 D4	2525 E2	3249 F3	3525 E2	5527 C1	7481 E2	9453 B2
2040 D5	2526 E2	3250 F3	3528 D3	5534 D3	7501 B2	9454 C3
2041 D5	2527 D1	3251 F3	3529 F1	5543 D4	7506 D1	9455 B2
2042 C5	2529 F1	3252 F3	3530 F1	5555 D3	7512 C3	9456 B2
2043 C5	2530 F1	3253 F2	3531 B3	6000 A5	7530 F1	9457 A1
2044 E5	2531 D3	3255 F3	3532 C3	6001 A5	7540 C4	9458 A1
2045 D5	2533 D3	3266 F2	3533 C3	6008 A3	7541 C4	9460 B2
2046 B5	2534 D3	3267 F2	3534 D3	6010 A5	7542 C4	9461 B4
2047 B5	2535 C4	3268 F2	3535 D3	6012 D5	7543 D2	9462 C4
2050 C5	2536 C4	3270 F2	3536 D3	6014 C5	7547 D3	9463 B3
2051 C5	2537 D4	3271 F2	3537 F2	6016 B5	7550 D3	9464 C4
2052 D5	2540 F1	3272 F2	3538 D3	6020 A4	7551 D4	9468 B3
2053 D5	2541 C4	3273 G2	3539 C3	6021 D4	7552 C4	9471 B2
2056 C5	2542 C4	3274 G1	3540 C4	6201 F3	7601 F1	9472 A2
2057 C5	2543 C4	3275 G2	3541 C4	6210 G3	7602 F1	9500 D2
2058 D5	2545 C3	3298 F5	3542 C4	6211 F3	7603 F1	9501 D2
2059 E5	2546 D2	3299 F5	3543 C4	6212 F4	7608 F1	9502 D2
2060 B5	2547 C2	3306 F3	3544 C4	6213 F4	7610 E1	9508 B2
2061 B5	2551 C4	3357 E2	3545 E2	6216 F5	7618 B2	9511 C2
2065 C4	2600 F1	3376 E3	3546 C4	6230 E4	7801 B3	9520 E2
2066 D5	2601 B2	3380 E3	3550 C4	6232 E4	7802 B4	9521 D1
2070 A5	2604 B2	3381 E3	3552 E2	6235 D3	9000 A4	9529 D3
2071 A5	2605 F1	3382 E3	3556 C1	6237 E3	9001 C5	9530 B2
2072 D4	2606 C3	3383 E3	3558 C2	6238 E3	9003 A4	9533 C2
2073 D4	2607 B3	3384 E3	3561 C4	6246 B4	9004 A4	9534 C2
2074 A5	2609 F1	3385 E2	3562 D4	6251 F3	9007 A4	9535 C3
2200 H3	2610 F1	3386 E3	3573 D1	6260 E3	9008 B5	9537 C3
2202 G2	2611 F1	3387 E3	3601 C3	6262 E3	9010 C5	9538 D3
2203 H2	2612 E1	3402 A2	3602 B2	6266 F2	9012 A4	9539 D3
2205 G2	2613 F1	3403 B2	3603 B2	6272 G2	9013 A4	9540 D4
2210 F4	2614 F1	3404 A2	3604 B2	6280 C4	9015 B4	9541 D2
2211 F4	2615 F1	3405 B3	3605 C2	6321 F3	9017 C5	9542 C2
2214 G4	2626 A2	3406 B3	3606 B2	6352 E5	9026 F5	9543 C2
2215 G4	2632 B3	3407 B3	3607 B2	6353 E5	9020 D5	9544 D1
2216 G5	2633 B2	3408 B3	3608 F1	6372 E3	9021 A4	9545 C1
2217 F3	2801 B4	3409 B3	3609 F1	6373 E3	9022 A3	9547 D1
2218 F5	3000 D4	3410 B3	3610 F1	6375 E3	9023 A4	9549 E1
2219 F5	3001 D5	3411 B2	3612 E1	6376 E3	9024 A4	9552 F1
2231 E4	3002 B5	3412 B2	3613 B2	6402 B3	9025 A4	9557 E2
2232 E5	3003 B5	3413 B3	3615 F1	6403 C3	9027 A5	9614 E2
2233 E4	3004 C5	3414 B3	3616 F1	6404 C3	9028 A5	9615 B2
2234 E5	3005 D5	3415 B3	3617 F1	6417 B3	9029 B5	9602 B4
2235 D3	3006 C5	3416 B3	3618 B2	6422 B2	9030 B4	9603 B3
2236 D4	3008 C5	3417 B3	3619 F1	6441 B3	9031 C4	
2237 E3	3009 C5	3418 B3	3620 F1	6451 B1	9032 C5	L01 F1
2238 D4	3011 C5	3419 B4	3621 F1	6453 B1	9034 C5	L02 E1
2239 B4	3012 C5	3421 B3	3623 E1	6480 B1	9035 A1	L03 A1
2250 F3	3013 D4	3423 B2	3624 E1	6506 D1	9036 A4	L06 C2
2254 F2	3014 D4	3424 B2	3626 A2	6515 C3	9037 B3	L13 C4
2255 F3	3016 B5	3426 A2	3627 B4	6516 C3	9038 B3	L27 B3
2256 F3	3019 B5	3428 C3	3630 B3	6517 C3	9039 B3	L30 A1
2260 E3	3020 B5	3429 B3	3632 C3	6519 E2	9041 C2	L32 D3
2261 E3	3021 B5	3430 B3	3633 B3	6520 E2	9042 C4	L32 G2
2262 E3	3022 B6	3437 B1	3634 B3	6527 C1	9043 D5	L34 G2
2263 E2	3023 C5	3438 B3	3638 B3	6529 F1	9044 A5	L35 G3
2270 G1	3024 C5	3439 B2	3639 B4	6534 D3	9045 D4	L36 A2
2272 G2	3026 D5	3440 B3	3637 B3	6536 C3	9046 D4	L37 A3
2330 B4	3027 A5	3442 B3	3639 B4	6537 C3	9047 E5	L38 A2
2380 E3	3028 A5	3443 A2	4000 A5	6542 C3	9048 D4	L38 F3
2381 E3	3029 D5	3444 B2	4001 D5	6546 C2	9050 A4	L40 E3
2382 E3	3030 D5	3450 A1	4003 A5	6547 D3	9051 D4	L41 G1
2386 E3	3031 D5	3451 A1	4004 C5	6551 D4	9052 D4	L61 G2
2401 B3	3032 D5	3455 A1	4005 C5	6601 E1	9053 D5	L65 G2
2402 B2	3033 D4	3456 A2	4006 D5	6611 B2	9054 D4	L66 D1
2403 A2	3034 D4	3457 A2	4007 C5	6801 B4	9055 A4	L70 A2
2404 A2	3035 C5	3458 A1	4074 A5	6802 B4	9056 A4	L80 G4
2405 A2	3036 D4	3459 A1	4200 E3	6803 B4	9057 C4	L90 C3
2406 B3	3037 D4	3460 B1	4402 C4	6804 B4	9058 G2	SK1 G3
2407 B2	3040 A5	3461 A1	4403 A2	7000 C5	9059 G1	SK2 A3
2408 C3	3041 A5	3462 A1	4406 B2	7001 D5	9060 G1	
2409 B2	3043 C4	3463 A1	4407 B1	7002 C5	9063 B5	
2410 B2	3044 A5	3464 A2	4408 B4	7003 A5	9064 B5	
2411 B2	3049 G1	3465 A2	4409 B4	7004 A5	9065 B4	
2412 C3	3050 G1	3466 A1	4415 E2	7005 D5	9066 B5	
2413 C3	3051 G1	3467 B2	4460 B1	7006 D5	9067 A3	
2415 A3	3052 G1	3468 A2	4461 B2	7007 D5	9203 D4	
2416 B3	3053 G1	3469 A1	4508 B2	7008 D5	9205 H1	

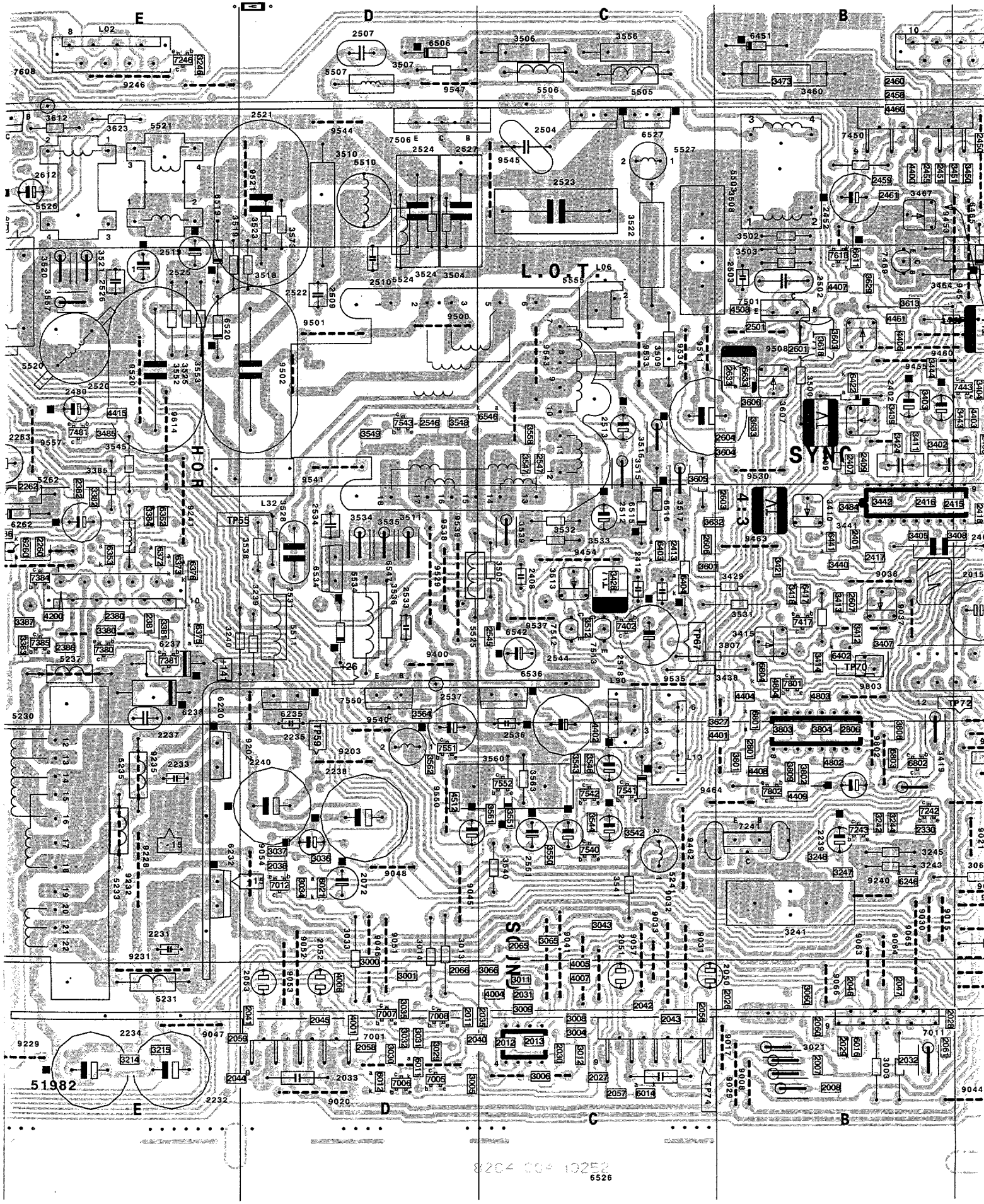


DAF

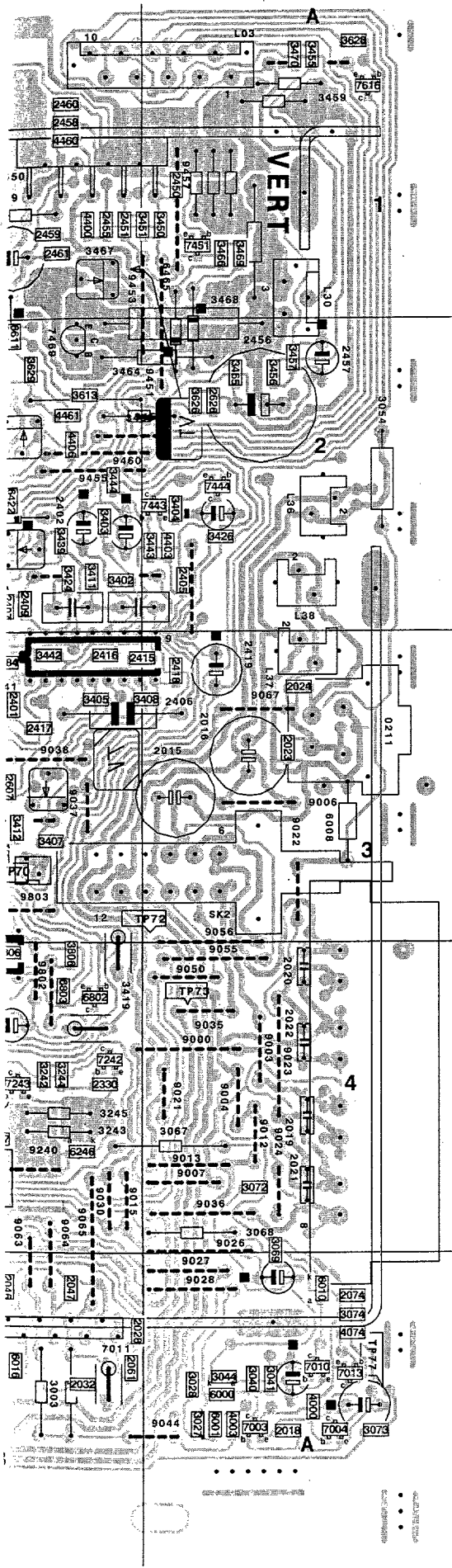


DAF

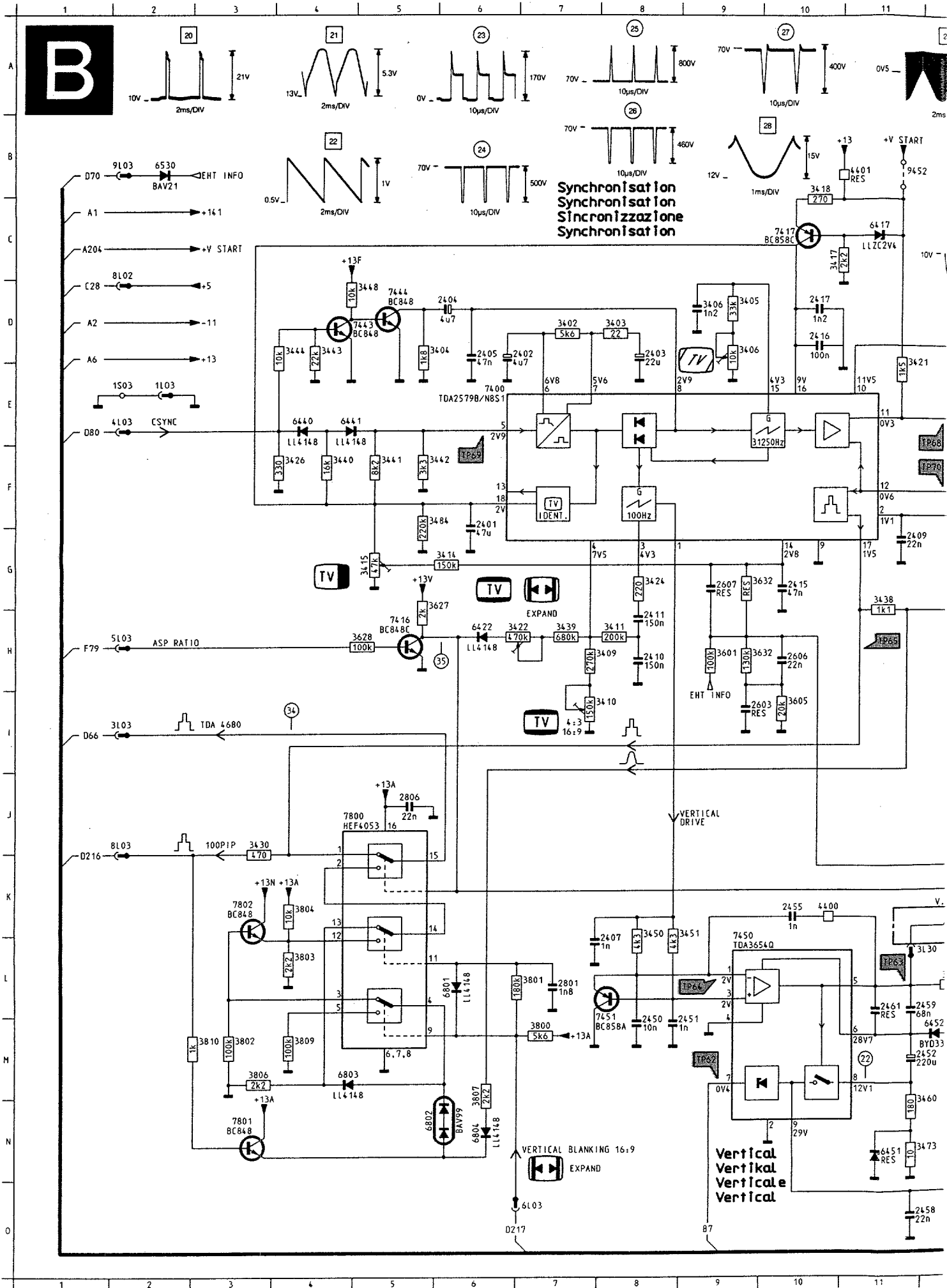




8204 009 10252
6526

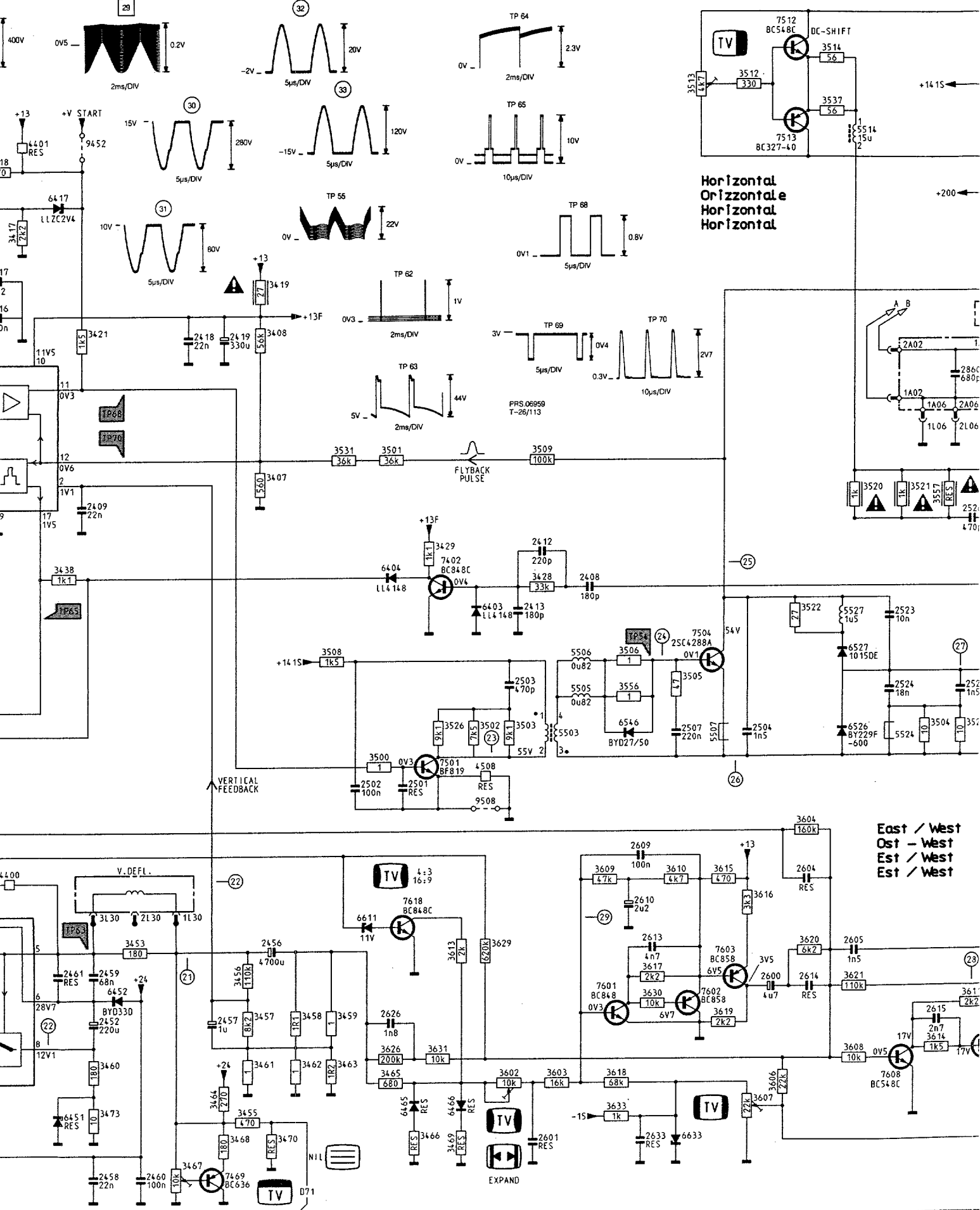


0207 A4	2417 B3	3054 A2	3470 A1	4511 F1	7009 G1	9206 H1
0211 A3	2418 A3	3060 B5	3473 B1	4512 D4	7010 A5	9207 H2
1200 G3	2419 A3	3065 C4	3479 F2	4601 F1	7011 B5	9208 H2
1240 C4	2450 A1	3066 C5	3480 B1	4802 B4	7012 D4	9216 G2
1250 F3	2451 B1	3067 A4	3481 F2	4803 B3	7013 A5	9217 G2
2001 G1	2452 B1	3068 A4	3482 F2	4804 B3	7201 F3	9218 H1
2002 G1	2455 B1	3069 A5	3484 B3	5202 H2	7216 G5	9219 E3
2003 G1	2456 A2	3072 A4	3485 E2	5204 H2	7241 B4	9220 G4
2007 B5	2457 A2	3073 A5	3500 B2	5205 H2	7242 B4	9221 G3
2008 B5	2458 B1	3074 A5	3501 C2	5210 D2	7243 B4	9222 F3
2009 G1	2459 B1	3201 H3	3502 B1	5230 F4	7246 E1	9223 F4
2011 D5	2460 B1	3202 F5	3503 B2	5231 E5	7246 E1	9224 F5
2012 C5	2461 B1	3203 G1	3504 D1	5233 E4	7250 F3	9225 E3
2013 C5	2480 E2	3204 G1	3505 C3	5235 E4	7251 F3	9226 E4
2015 A3	2501 B2	3209 G1	3506 C1	5237 E3	7268 F2	9229 E5
2016 A3	2502 B2	3210 F3	3507 D1	5241 C4	7270 F2	9230 F3
2017 A5	2503 B2	3211 G3	3508 C2	5255 F3	7272 G1	9231 E5
2018 A5	2504 C1	3212 G3	3509 C2	5260 E3	7273 F2	9232 E4
2019 A4	2507 D1	3213 F3	3510 D1	5262 E3	7303 E3	9233 F2
2020 A4	2509 D2	3214 E5	3511 D2	5381 E3	7381 E3	9234 F1
2021 A4	2510 D2	3215 E5	3512 D2	5503 B1	7384 E3	9235 E4
2022 A4	2511 C2	3216 F4	3515 C3	5505 C1	7385 E3	9238 G3
2023 A3	2512 C3	3239 D3	3514 F2	5506 C1	7400 B3	9240 B4
2024 A3	2513 C2	3240 D3	3515 C2	5507 D1	7401 B4	9241 E3
2026 B5	2517 C3	3241 B4	3516 C2	5510 D1	7402 C3	9242 G2
2027 C5	2518 C3	3242 B4	3517 C2	5511 D3	7417 B3	9243 E3
2028 B5	2519 E2	3243 B4	3518 D2	5514 F2	7443 A2	9246 E1
2029 B5	2520 E2	3244 B4	3519 E2	5520 E2	7444 A2	9247 F1
2031 C5	2521 D1	3254 B4	3520 E2	5521 E1	7450 B1	9250 F2
2032 B5	2522 D1	3246 E1	3521 E2	5524 D2	7451 A1	9251 F2
2033 D5	2523 C1	3247 B4	3523 D1	5525 D3	7469 B2	9400 D3
2035 C5	2524 D1	3248 B4	3524 D2	5526 E1	7480 F2	9451 A1
2038 D4	2525 E2	3249 F3	3525 E2	5527 C1	7481 E2	9453 B2
2040 D5	2526 E2	3250 F3	3528 D3	5534 D3	7501 B2	9454 C3
2041 D5	2527 D1	3251 F3	3529 F1	5543 D4	7506 D1	9455 B2
2042 C5	2529 F1	3252 F3	3530 F1	5555 D3	7512 C3	9456 B2
2043 C5	2530 F1	3253 F2	3531 B3	6000 A5	7530 F1	9457 A1
2044 E5	2531 D3	3255 F3	3532 C3	6001 A5	7540 C4	9458 A1
2045 D5	2533 D3	3266 F2	3533 C3	6008 A3	7541 C4	9460 B2
2046 B5	2534 D3	3267 F2	3534 D3	6010 A5	7542 C4	9461 B4
2047 B5	2535 C4	3268 F2	3535 D3	6012 D5	7543 D2	9462 C4
2050 C5	2536 C4	3270 F2	3536 D3	6014 C5	7547 D3	9463 B3
2051 C5	2537 D4	3271 F2	3537 F2	6016 B5	7550 D3	9464 C4
2052 D5	2540 F1	3272 F2	3538 D3	6020 A4	7551 D4	9468 B3
2053 D5	2541 C4	3273 G2	3539 C3	6021 D4	7552 C4	9471 B2
2056 C5	2542 C4	3274 G1	3540 C4	6201 F3	7601 F1	9472 A2
2057 C5	2543 C4	3275 G2	3541 C4	6210 G3	7602 F1	9500 D2
2058 D5	2545 C3	3298 F5	3542 C4	6211 F3	7603 F1	9501 D2
2059 E5	2546 D2	3299 F5	3543 C4	6212 F4	7608 F1	9502 D2
2060 B5	2547 C2	3306 F3	3544 C4	6213 F4	7610 E1	9508 B2
2061 B5	2551 C4	3357 E2	3545 E2	6216 F5	7618 B2	9511 C2
2065 C4	2600 F1	3376 E3	3546 C4	6230 E4	7801 B3	9520 E2
2066 D5	2601 B2	3380 E3	3550 C4	6232 E4	7802 B4	9521 D1
2070 A5	2604 B2	3381 E3	3553 E2	6235 D3	9000 A4	9529 D3
2071 A5	2605 F1	3382 E3	3556 C1	6237 E3	9001 C5	9530 B2
2072 D4	2606 C3	3383 E3	3558 C2	6238 E3	9003 A4	9533 C2
2073 D4	2607 B3	3384 E3	3561 C4	6246 B4	9004 A4	9534 C2
2074 A5	2609 F1	3385 E2	3562 D4	6251 F3	9007 A4	9535 C3
2200 H3	2610 F1	3386 E3	3573 D1	6260 E3	9008 B5	9537 C3
2202 G2	2611 F1	3387 E3	3601 C3	6262 E3	9010 C5	9538 D3
2203 H2	2612 E1	3402 A2	3602 B2	6266 F2	9012 A4	9539 D3
2205 G2	2613 F1	3403 B2	3603 B2	6272 G2	9013 A4	9540 D4
2210 F4	2614 F1	3404 A2	3604 B2	6280 C4	9015 B4	9541 D2
2211 F4	2615 F1	3405 B3	3605 C2	6321 F3	9017 C5	9542 C2
2214 G4	2626 A2	3406 B3	3606 B2	6352 E3	9028 F5	9543 C2
2215 G4	2632 B3	3407 B3	3607 B2	6353 E3	9020 D5	9544 D1
2216 G5	2633 B2	3408 B3	3608 F1	6372 E3	9021 A4	9545 C1
2217 F3	2801 B4	3409 B3	3609 F1	6373 E3	9022 A3	9547 D1
2218 F5	3000 D4	3410 B3	3610 F1	6375 E3	9024 A4	9549 E1
2219 F5	3001 B5	3411 B2	3612 E1	6376 E3	9024 A4	9552 F1
2231 E4	3002 B5	3412 B2	3613 B2	6402 B3	9026 A4	9557 E2
2232 E5	3003 B5	3413 B3	3615 F1	6403 C3	9027 A5	9614 E2
2233 E4	3004 C6	3414 B3	3616 F1	6404 C3	9028 A5	9615 B2
2234 E5	3005 D5	3415 B3	3617 F1	6417 B3	9029 B5	9802 B4
2235 D3	3006 C5	3416 B3	3618 B2	6422 B2	9030 B4	9803 B3
2236 D4	3008 C5	3417 B3	3619 F1	6441 B3	9031 C4	
2237 E3	3009 C5	3418 B3	3620 F1	6451 B1	9033 C5	L01 F1
2238 D4	3011 C5	3419 B4	3621 F1	6453 B1	9034 C5	L02 E1
2239 B4	3012 C6	3421 B3	3623 E1	6480 F1	9035 A4	L03 A1
2250 F3	3013 D4	3423 B2	3624 E1	6506 D1	9036 A4	L06 C2
2251 F2	3014 D4	3424 B2	3626 A2	6515 C3	9037 B3	L13 C4
2255 F3	3016 B5	3426 A2	3627 B4	6516 C3	9038 B3	L27 B3
2258 F3	3019 B5	3428 C3	3630 F1	6517 C3	9039 B3	L30 A1
2260 E3	3020 B5	3429 B3	3632 C3	6519 E2	9041 C4	L32 D3
2261 E3	3021 B5	3430 B3	3633 C3	6520 E2	9042 C4	L33 G2
2262 E3	3022 B5	3437 B1	3634 B3	6527 C1	9043 D5	L34 G2
2263 E2	3023 C5	3438 B3	3634 B3	6529 F1	9044 A5	L35 G3
2270 G1	3024 C5	3439 B2	3636 B4	6534 D3	9045 D4	L36 A2
2272 G2	3026 D5	3440 B3	3637 B3	6536 C3	9046 D4	L37 A3
2330 B4	3027 A5	3442 B3	3639 B4	6537 C3	9047 E5	L38 A2
2380 E3	3028 A5	3443 A2	4000 A5	6542 C3	9048 D4	L39 F3
2381 E3	3029 D5	3444 B2	4001 D5	6546 C2	9050 A4	L40 E3
2382 E3	3030 D5	3450 A1	4003 A5	6547 D3	9051 D4	L41 G1
2386 E3	3031 D5	3451 A1	4004 C5	6551 D4	9052 D4	L61 G2
2401 B3	3032 D5	3455 A1	4005 C5	6801 E1	9053 D5	L65 G2
2402 B2	3033 D4	3456 A2	4006 D5	6811 B2	9054 D4	L66 D1
2403 A2	3034 D4	3457 A2	4007 C5	6801 B4	9055 A4	L70 A2
2404 A2	3035 C5	3458 A1	4074 A5	6802 B4	9056 A4	L80 G4
2405 A2	3036 D4	3459 A1	4200 E3	6803 B4	9057 C4	L90 C3
2406 B3	3037 D4	3460 B1	4402 C4	6804 B4	9058 G2	SK1 G3
2407 B2	3040 A5	3461 A1	4403 A2	7000 C5	9059 G1	SK2 A3
2408 C3	3041 A5	3462 A1	4406 B2	7001 D5	9060 G1	
2409 B2	3043 C4	3463 A1	4407 B1	7002 C5	9063 B5	
2410 B2	3044 A5	3464 A2	4408 B4	7003 A5	9064 B5	
2411 B2	3049 G1	3465 A2	4409 B4	7004 A5	9065 B4	
2412 C3	3050 G1	3466 A1	4415 E2	7005 D5	9066 B5	
2413 C3	3051 G1	3467 B2	4460 B1	7006 D5	9067 A3	
2415 A3	3052 G1	3468 A2	4461 B2	7007 D5	9203 D4	
2416 B3	3053 G1	3469 A1	4508 B2	7008 D5	9205 H1	



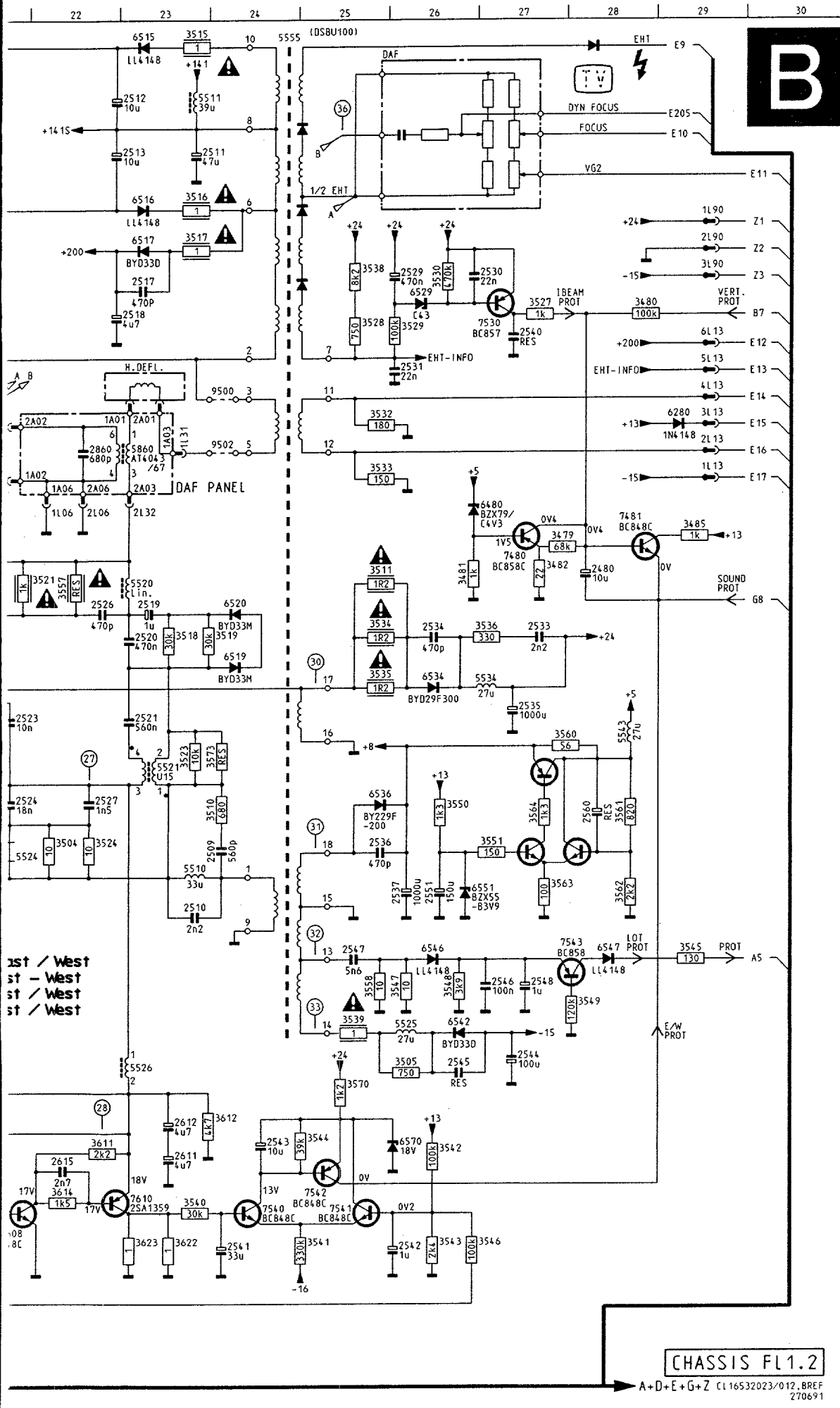
Synchronisation

11 12 13 14 15 16 17 18 19 20 21 22



Horizontal
Orizzontale
Horizontal
Horizontal

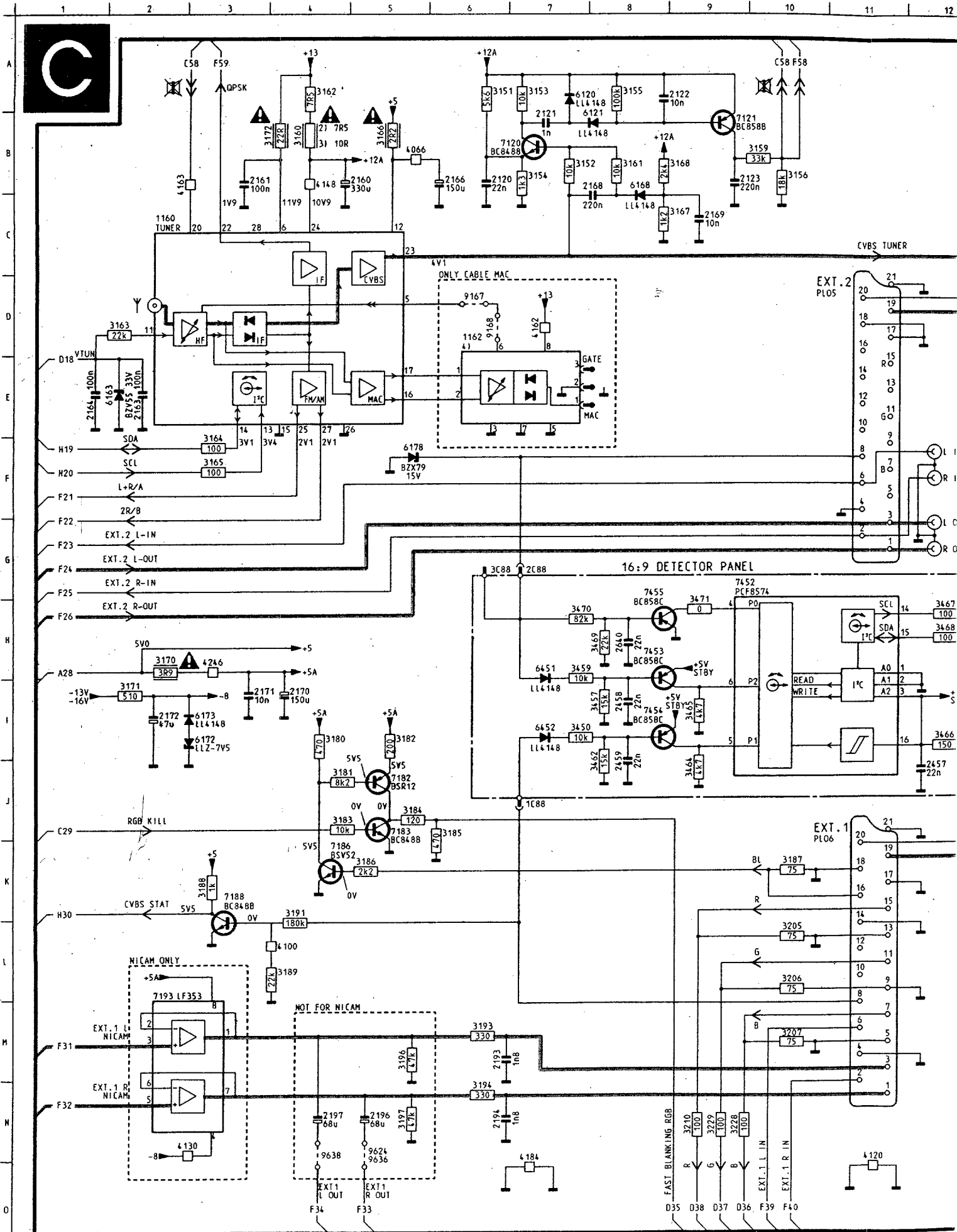
East / West
Ost - West
Est / West
Est / West



2401	G 6	3450	K 8	3632	H 9
2402	D 6	3451	K 9	3633	G 9
2403	D 8	3453	L12	3633	N18
2404	D 6	3455	M13	3800	M 7
2405	D 6	3456	L13	3801	L 7
2407	L 8	3457	M13	3802	M 4
2408	H18	3458	M14	3803	L 3
2409	G11	3459	M14	3804	K 4
2410	H 8	3460	M11	3806	M 3
2411	H 8	3461	M13	3807	M 6
2412	G17	3462	M14	3809	M 4
2413	H17	3463	M14	3810	M 3
2415	G10	3464	M13	4400	K10
2416	D10	3465	N15	4401	B11
2417	D10	3466	N15	4508	J16
2418	E13	3467	O12	5503	I17
2419	E13	3468	N13	5505	I17
2450	M 8	3469	O16	5506	I17
2451	M 8	3470	N14	5507	I19
2452	M11	3473	N11	5510	J23
2455	K10	3479	F27	5511	A23
2456	L14	3480	C28	5514	B21
2457	M13	3481	F26	5520	G23
2458	O11	3482	F27	5521	I23
2459	L11	3484	F 5	5524	K21
2460	O12	3485	F29	5525	K26
2461	L11	3500	J15	5526	I23
2480	F28	3501	F15	5527	H21
2501	J15	3502	I16	5534	H27
2502	J15	3503	I17	5543	H28
2503	I17	3504	I22	5555	A24
2504	I20	3505	I19	5860	E23
2507	I19	3505	L26	6280	E29
2509	I24	3506	H18	6403	H16
2510	J23	3508	H14	6404	G15
2511	B23	3509	F17	6417	C11
2512	A23	3510	I24	6422	H 6
2513	B23	3511	F25	6440	E 4
2517	C23	3512	A20	6441	E 4
2518	D23	3513	B19	6451	N11
2519	G23	3514	A21	6452	M12
2520	G23	3515	A23	6465	N16
2521	H23	3516	B23	6466	M16
2523	H21	3517	C23	6480	F27
2524	I21	3518	G23	6515	A23
2526	G22	3519	G24	6516	B23
2527	I22	3520	F21	6517	C23
2529	C26	3521	F22	6519	G24
2530	C27	3522	H20	6520	G24
2531	D26	3523	H23	6526	I21
2533	G27	3524	I22	6527	H21
2534	G26	3526	I16	6529	C26
2535	H27	3527	C27	6530	B 2
2536	I25	3528	D25	6534	H26
2537	J26	3529	D26	6536	I25
2540	O27	3530	C26	6542	K26
2541	N24	3531	F14	6546	I18
2542	N26	3532	E25	6546	K26
2543	M24	3533	E25	6547	K28
2544	L27	3534	G25	6551	J26
2545	L26	3535	H25	6570	M26
2546	K27	3536	G27	6611	L15
2547	K25	3537	B21	6633	N19
2548	K27	3538	C25	6801	L 6
2551	J26	3539	K25	6802	N 5
2560	I28	3540	M23	6803	M 4
2600	M20	3541	N25	6804	N 6
2601	N17	3542	M26	7400	E 6
2603	I 9	3543	N26	7402	G16
2604	K20	3544	M25	7416	H 5
2605	L21	3545	K29	7417	C10
2606	H10	3546	N27	7443	D 4
2607	G 9	3547	K26	7444	D 5
2609	K18	3548	K26	7450	L 9
2610	L18	3549	K28	7451	L 8
2611	M23	3550	I26	7469	O13
2612	M23	3551	I27	7480	F27
2613	L18	3556	I18	7481	F28
2614	M20	3557	G22	7501	J16
2615	M22	3558	K25	7504	H19
2626	M15	3560	H27	7512	A20
2633	N18	3561	I28	7513	B20
2801	L 7	3562	J28	7530	D27
2806	J 5	3563	J27	7540	M24
2860	E22	3564	I27	7541	M25
3402	D 7	3570	L25	7542	M25
3403	D 8	3573	H24	7543	K28
3404	D 5	3601	H 9	7601	M18
3405	D 9	3602	N17	7602	M19
3406	D 9	3603	N17	7603	L19
3406	D 9	3604	K20	7608	N21
3407	F14	3605	I10	7610	M23
3408	D14	3606	N20	7618	L15
3409	H 7	3607	N20	7800	J 4
3410	I 7	3608	M21	7801	N 3
3411	H 8	3609	K18	7802	K 3
3414	G 6	3610	K19	9452	B11
3415	G 5	3611	M22	9500	D24
3417	C10	3612	L24	9502	E24
3418	B10	3613	L16	9508	J16
3419	D14	3614	M22		
3421	D11	3615	K19		
3422	H 7	3616	K20		
3424	G 8	3617	L18		
3426	F 4	3618	N18		
3428	H17	3619	M19		
3429	G16	3620	L20		
3430	J 3	3621	M21		
3438	G11	3622	N23		
3439	H 7	3623	N23		
3440	F 4	3626	M15		
3441	F 5	3627	G 5		
3442	F 5	3628	H 5		
3443	D 4	3629	L16		
3444	D 4	3630	M18		
3448	D 5	3631	M16		

CHASSIS FL1.2

A+D+E+G+Z C116532023/012, BRFF 270691

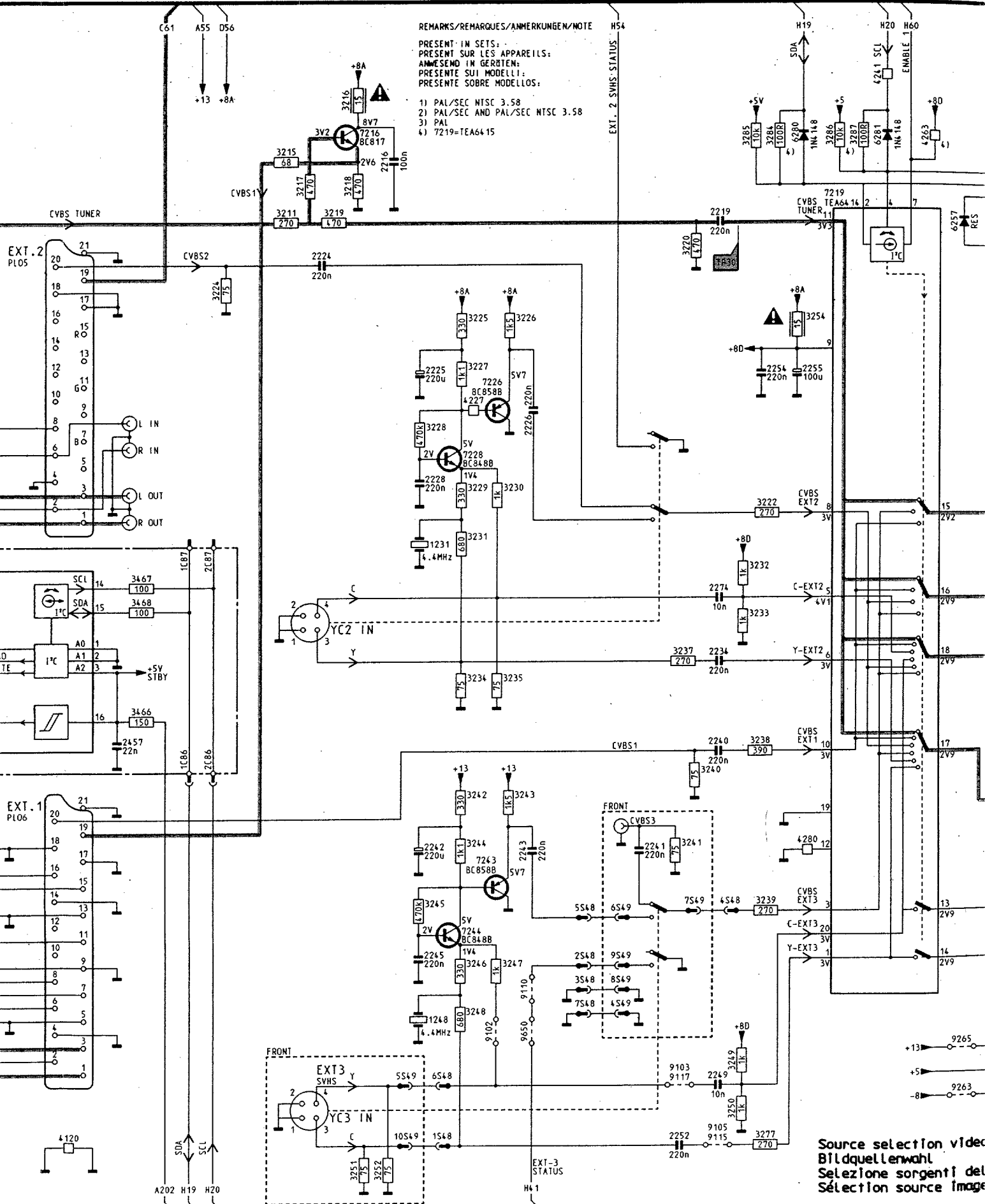


11 12 13 14 15 16 17 18 19 20 21 22

REMARKS/REMARQUES/ANMERKUNGEN/NOTE

PRESENT - IN SETS:
 PRESENT SUR LES APPAREILS:
 ANWESEND IN GERÄTEN:
 PRESENTE SUI MODELLI:
 PRESENTE SOBRE MODELOS:

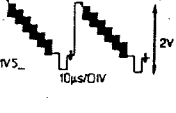
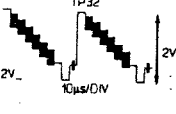
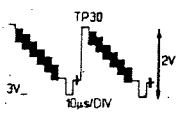
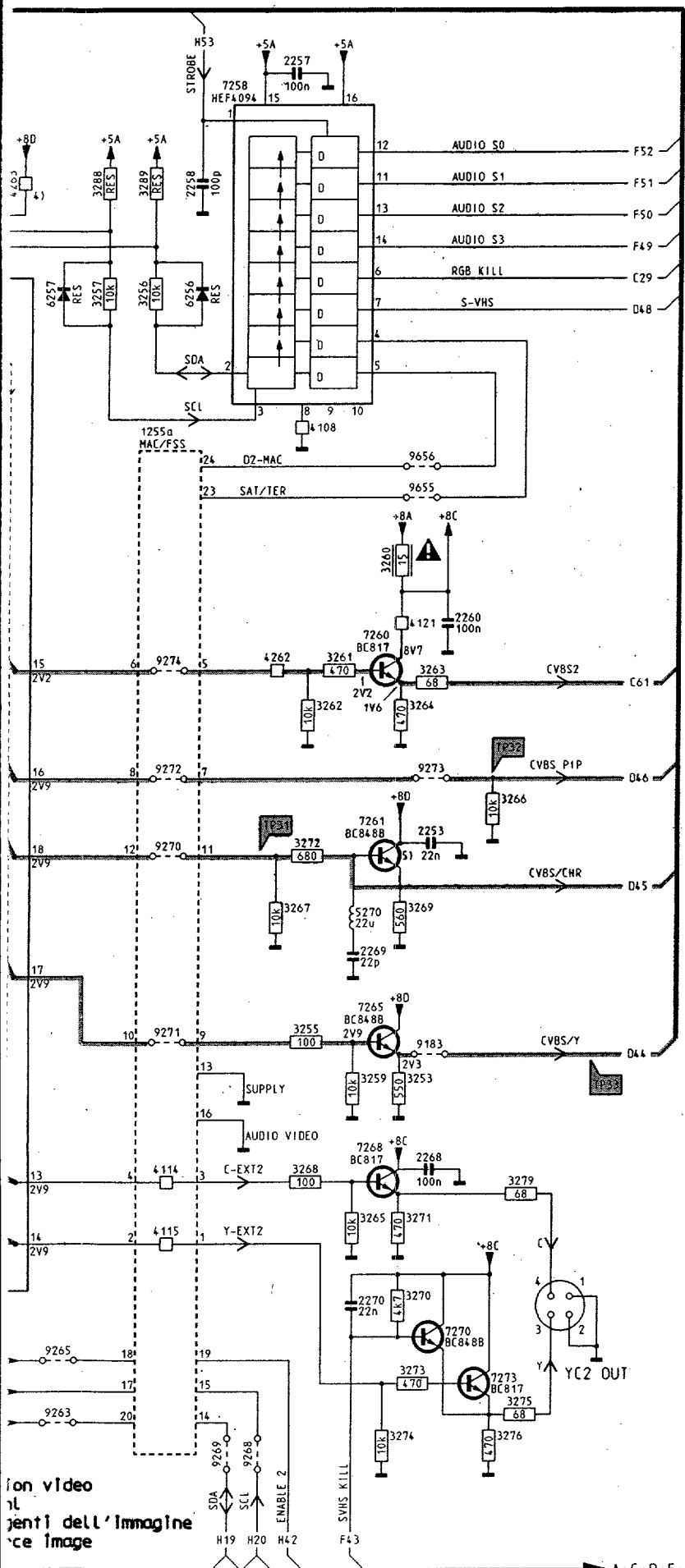
- 1) PAL/SEC NTSC 3.58
- 2) PAL/SEC AND PAL/SEC NTSC 3.58
- 3) PAL
- 4) 7219=TEA6415



Source selection vidoc
 Bildquellenwahl
 Selezione sorgenti del
 Sélection source image

11 12 13 14 15 16 17 18 19 20 21 22

22 23 24 25 26 27 28 29 30



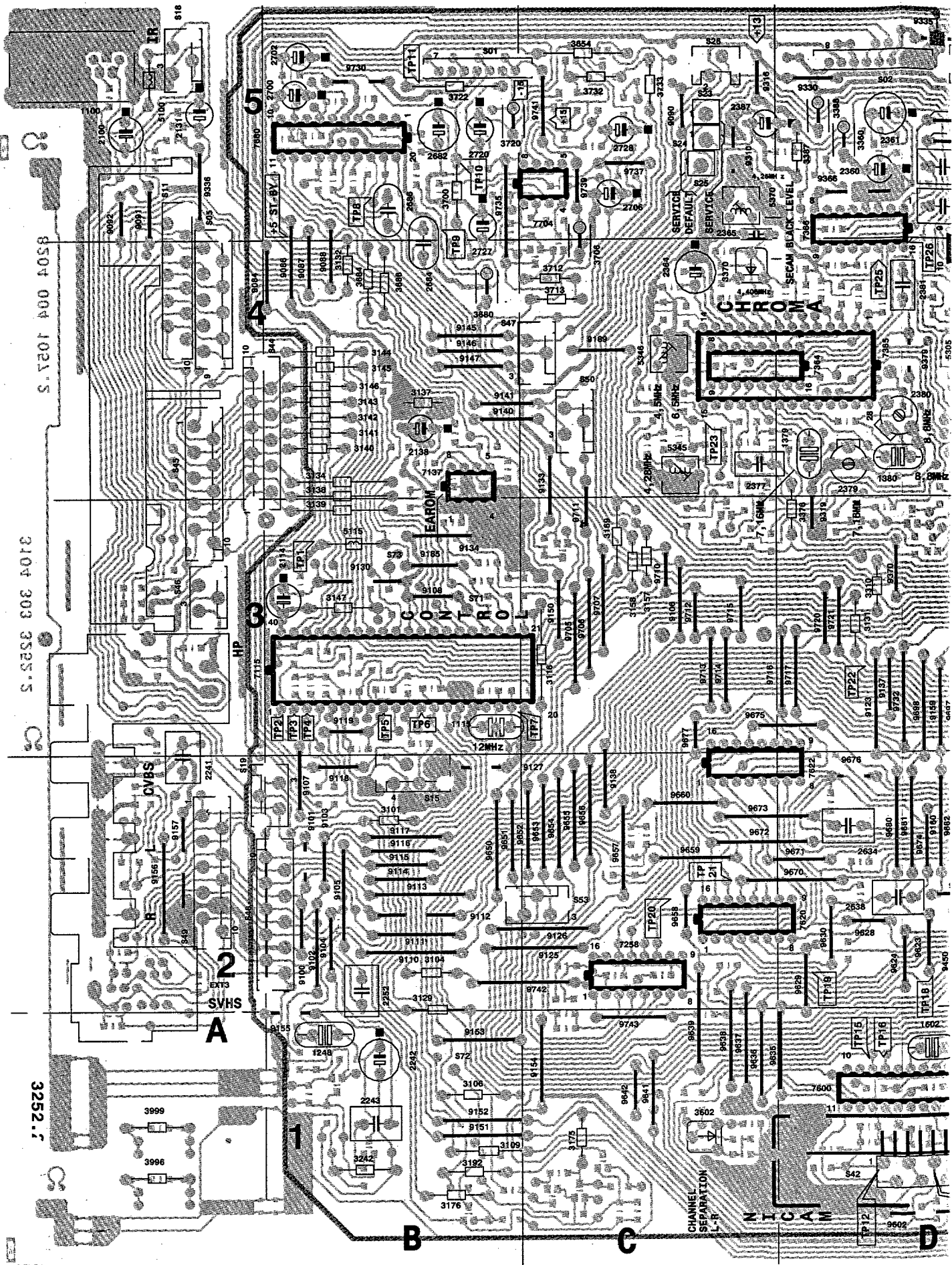
1160	C 2	3242	J16	9167	D 6
1162	D 6	3243	J17	9168	D 6
1231	G16	3244	K16	9183	J26
1248	H16	3245	L16	9263	M22
1255	E23	3246	L16	9265	M22
2120	B 6	3247	L16	9268	M24
2121	B 7	3248	M16	9269	M24
2122	A 8	3249	M19	9270	I23
2123	B 9	3250	M19	9271	J23
2160	B 5	3251	O15	9272	H23
2161	B 3	3252	O15	9273	H26
2163	E 2	3253	K25	9274	G23
2164	E 1	3254	O20	9624	N 5
2166	B 6	3255	J25	9636	N 5
2168	B 8	3256	C23	9638	N 4
2169	C 9	3257	C23	9650	H17
2170	I 4	3259	K25	9655	E26
2171	I 3	3260	F25	9656	E26
2172	I 2	3261	G25		
2193	M 6	3262	G25		
2194	M 6	3263	G26		
2196	N 5	3264	G25		
2197	N 4	3265	L25		
2216	C15	3266	H26		
2219	C19	3267	I24		
2224	D14	3268	L25		
2225	E15	3269	I25		
2226	F17	3270	M25		
2228	F15	3271	L25		
2234	I19	3272	I25		
2240	J19	3273	M26		
2241	K18	3274	M25		
2242	K15	3275	N27		
2243	K17	3276	N26		
2245	L15	3277	O20		
2249	M19	3279	L27		
2252	O19	3284	B20		
2253	H26	3285	B19		
2254	E20	3286	B21		
2255	E20	3287	B21		
2257	A24	3288	B23		
2258	B23	3289	B23		
2260	F26	3450	I 7		
2268	L26	3457	I 8		
2269	J25	3459	H 7		
2270	M25	3462	J 8		
2274	H19	3464	J 9		
2457	J12	3465	I 9		
2458	I 8	3466	I12		
2459	J 8	3467	H12		
2640	H 8	3468	H12		
3151	A 6	3469	H 8		
3152	B 7	3470	H 7		
3153	A 7	3471	H 9		
3154	B 7	4066	B 5		
3155	A 8	4100	L 4		
3156	B10	4108	E25		
3159	B10	4114	L23		
3160	B 4	4115	L23		
3161	B 8	4120	O11		
3162	A 4	4121	F25		
3163	D 2	4130	N 3		
3164	F 3	4148	B 4		
3165	F 3	4162	D 7		
3166	B 5	4163	B 2		
3167	C 9	4184	O 7		
3168	B 9	4227	E16		
3170	H 2	4241	B21		
3171	I 2	4246	H 3		
3172	B 4	4262	G24		
3180	I 4	4263	B22		
3181	J 4	4280	K20		
3182	I 5	5270	I25		
3183	J 4	6120	A 7		
3184	J 5	6121	B 8		
3185	J 6	6163	E 2		
3186	K 5	6168	B 8		
3187	K10	6172	I 3		
3188	K 3	6173	I 3		
3189	L 4	6178	F 5		
3191	K 4	6256	C23		
3193	M 6	6257	C22		
3194	N 6	6280	B20		
3196	M 5	6281	B21		
3197	N 5	6451	H 7		
3205	L10	6452	I 7		
3206	L10	7120	B 7		
3207	M10	7121	B 9		
3210	N 9	7182	J 5		
3211	C14	7183	J 5		
3215	B14	7186	K 4		
3216	B15	7188	K 3		
3217	C14	7193	L12		
3218	C15	7216	B15		
3219	C14	7219	C20		
3220	D19	7226	E16		
3222	G20	7228	F16		
3224	D13	7243	K16		
3225	D16	7244	L16		
3226	D17	7258	A24		
3227	E16	7260	G25		
3228	N 9	7261	H25		
3228	F16	7265	J25		
3229	N 9	7268	K25		
3229	F16	7270	M26		
3230	F16	7273	N26		
3231	G16	7452	G 9		
3232	G19	7453	H 8		
3233	H19	7454	I 8		
3234	I16	7455	G 8		
3235	I16	9102	M16		
3237	I19	9103	M19		
3238	J20	9105	M19		
3239	L20	9110	M17		
3240	J19	9115	O19		
3241	K19	9117	M19		

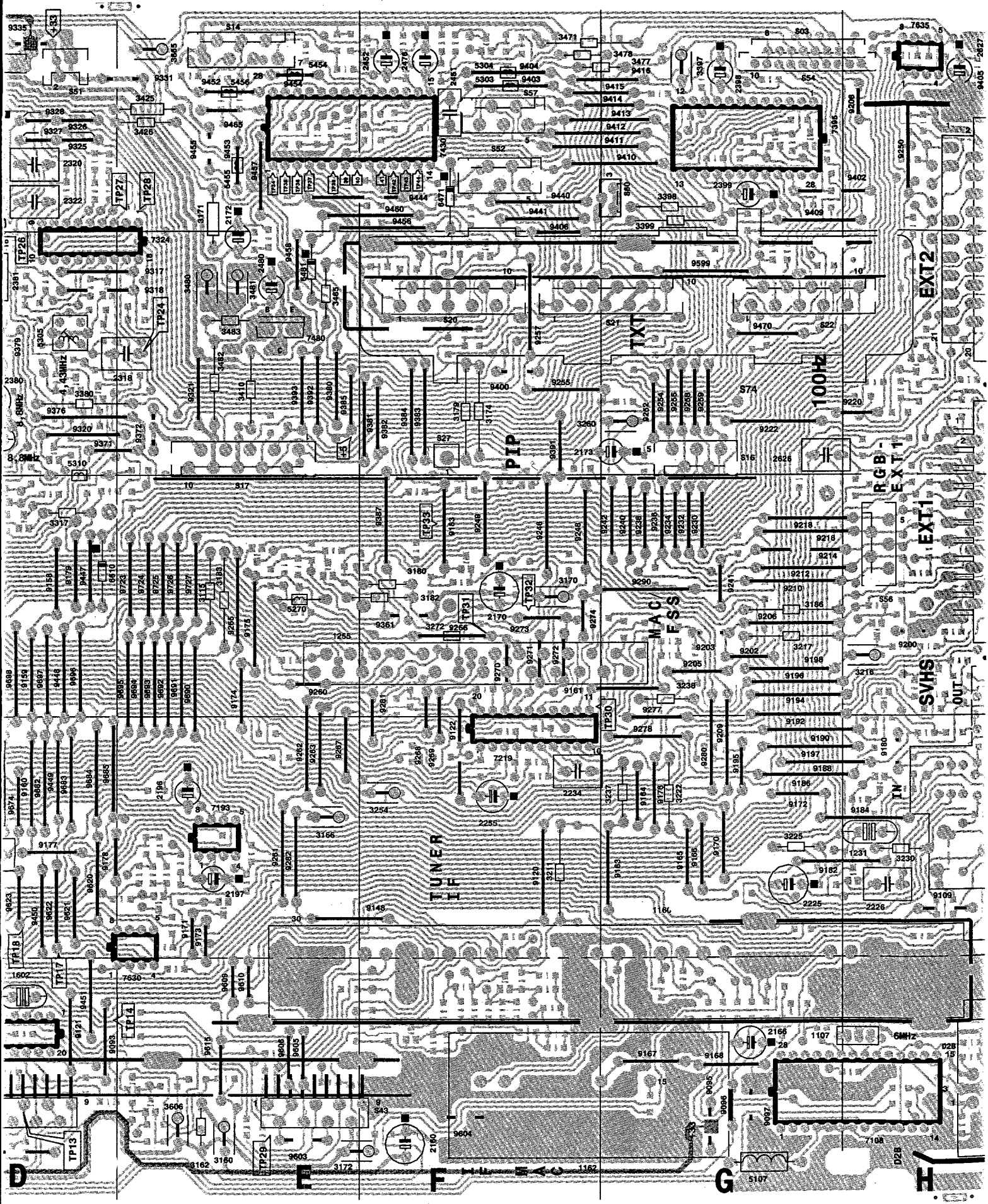
ion video
 enti dell'immagine
 ce image

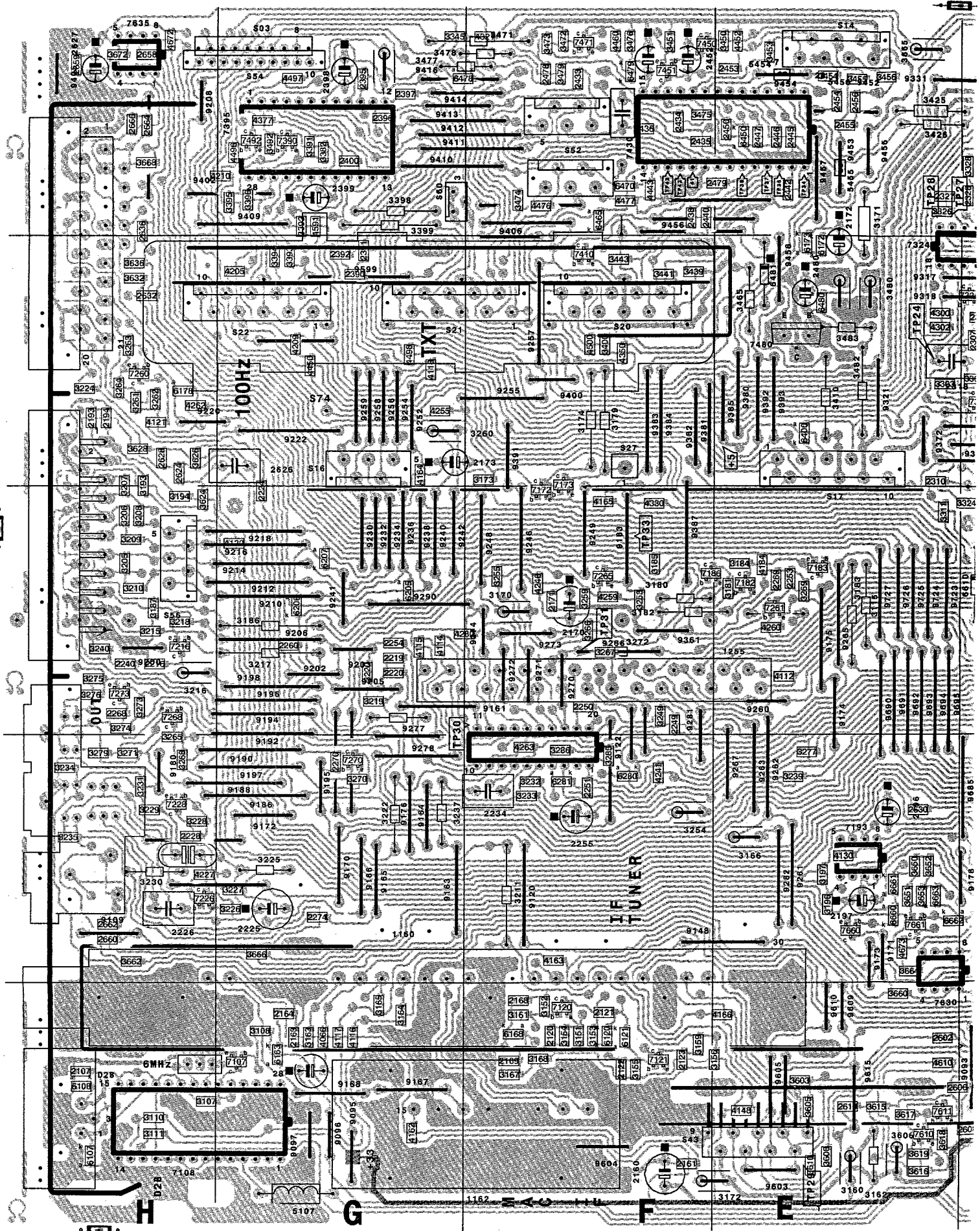
CHASSIS FL1.2

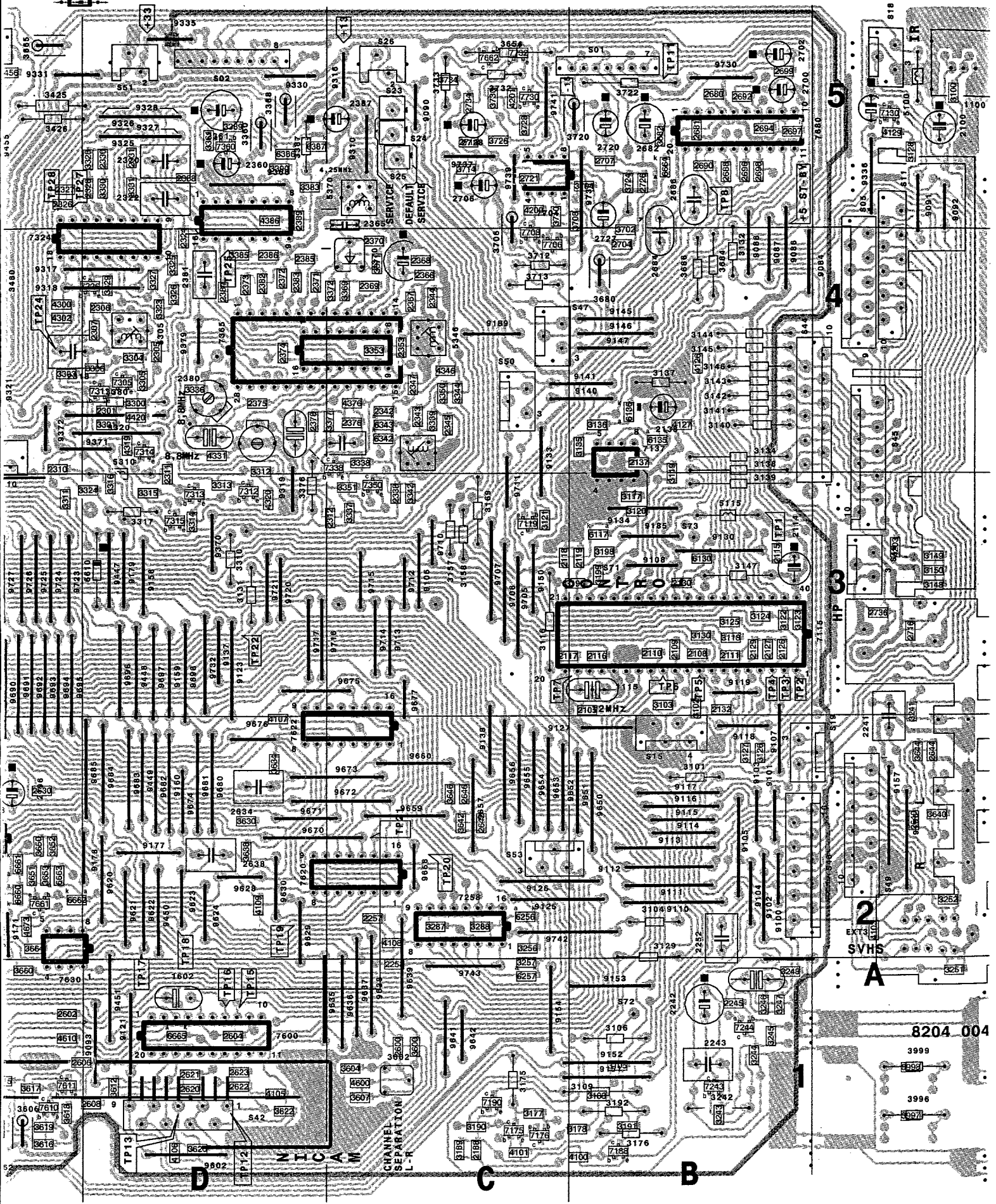
CL 16532023/013, CREF
 270691

22 23 24 25 26 27 28 29 30





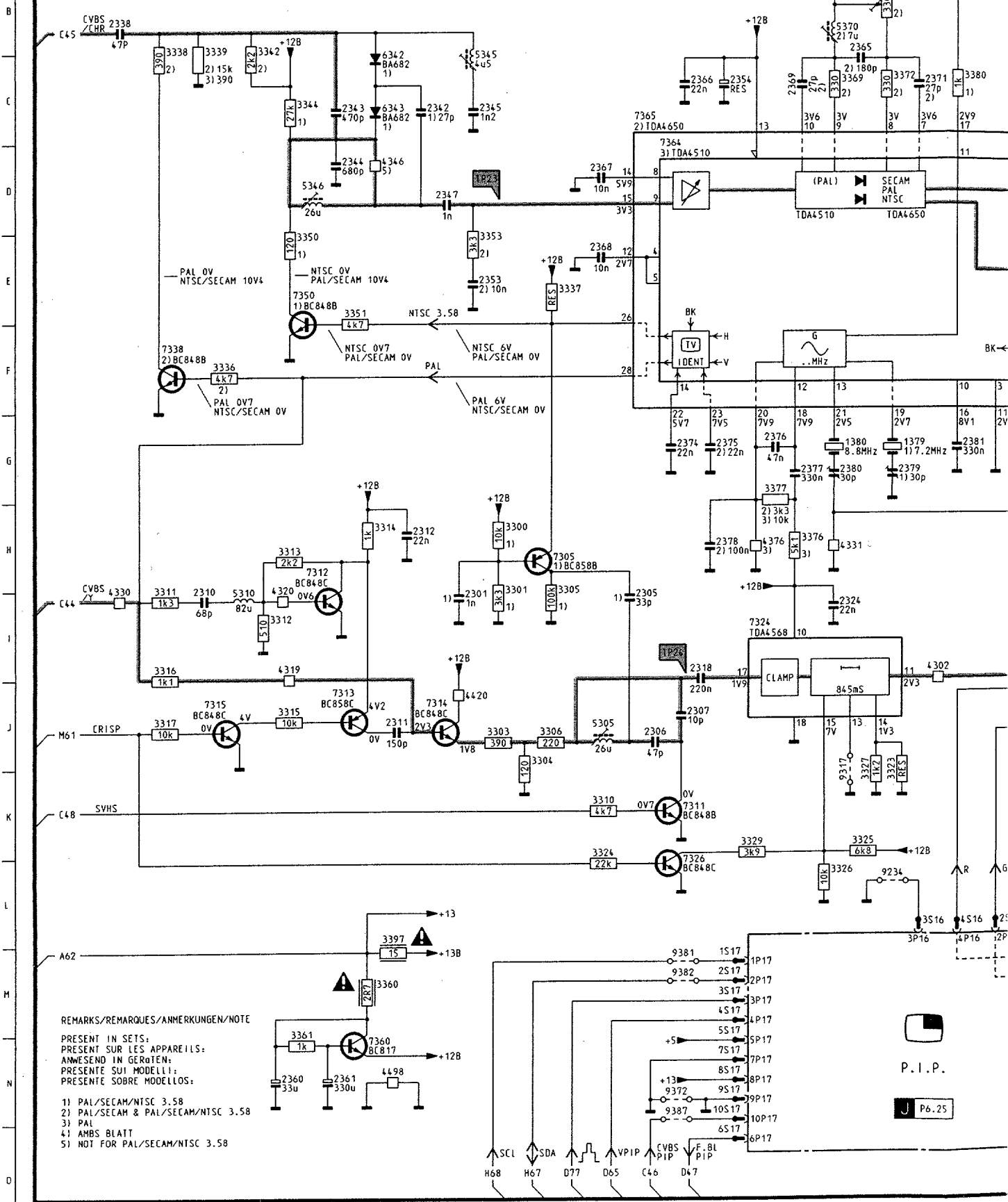




8204 004
 3999
 3998
 3996
 3997

D

**Chrominance processing
Chrominanz-Processor
Processore della crominanza
Traitement chrominance**



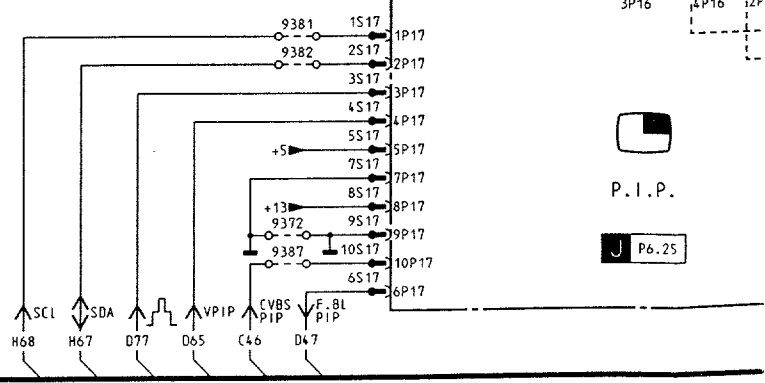
REMARKS/REMARQUES/ANMERKUNGEN/NOTE

- PRESENT IN SETS:
 - PRESENT SUR LES APPAREILS:
 - ANWESEND IN GERÄTEN:
 - PRESENTE SUI MODELLI:
 - PRESENTE SOBRE MODELOS:
- 1) PAL/SECAM/NTSC 3.58
 - 2) PAL/SECAM & PAL/SECAM/NTSC 3.58
 - 3) PAL
 - 4) AMBS BLATT
 - 5) NOT FOR PAL/SECAM/NTSC 3.58

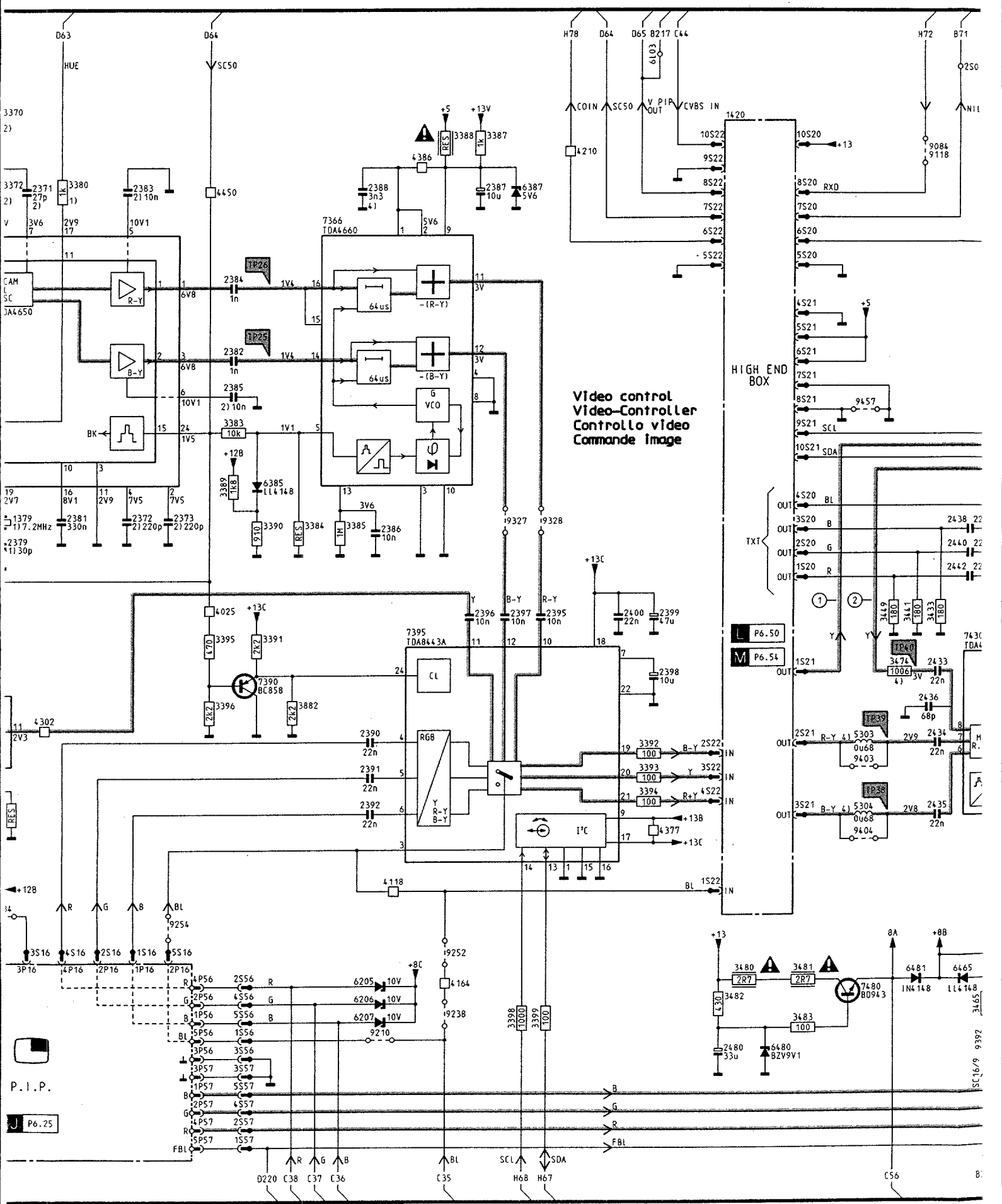


P. I. P.

J P6.25



Traitement vidéo



Video control
Video-Controller
Controllo video
Comande image

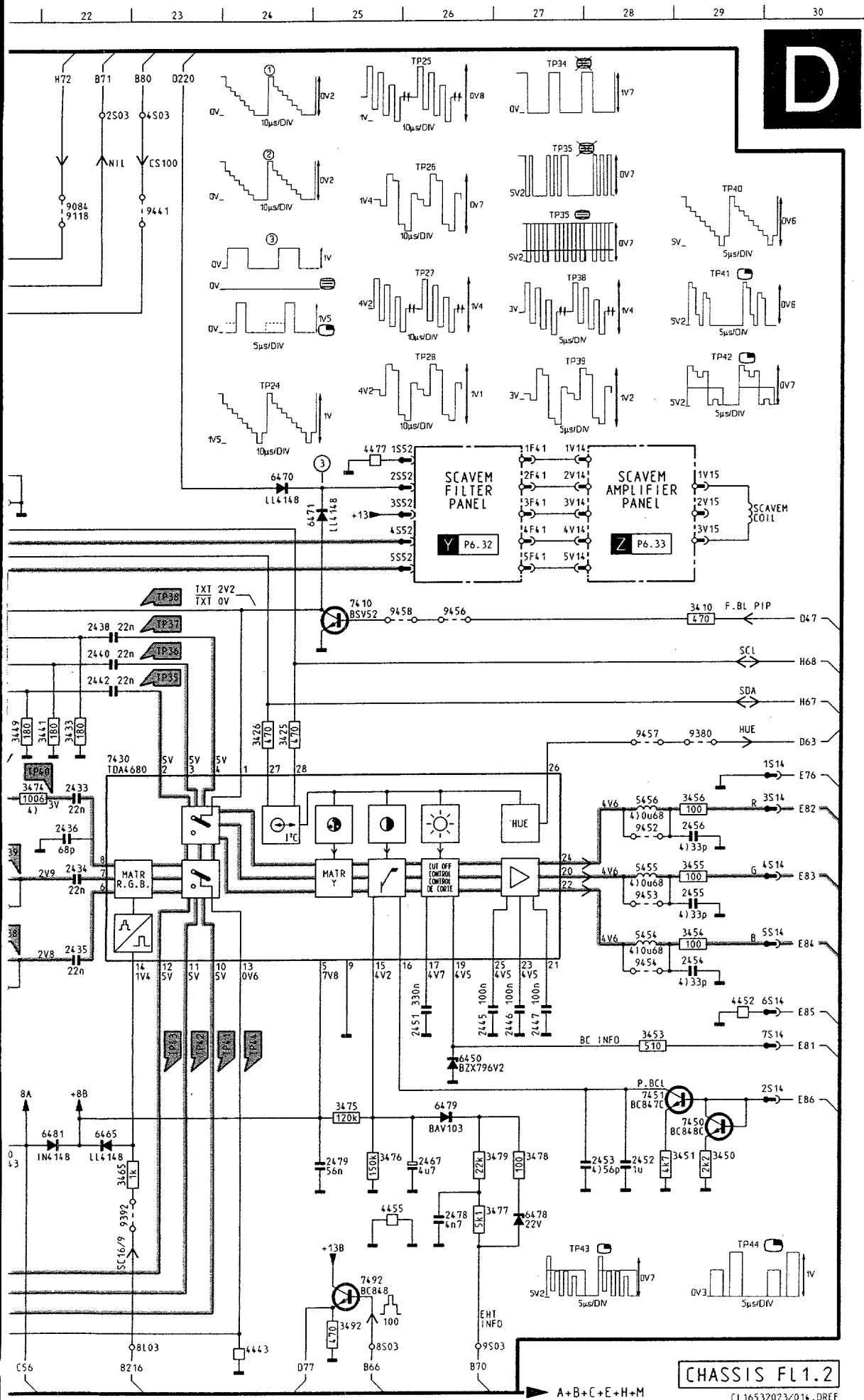
HIGH END BOX

P6.50
P6.54

P.I.P.

P6.25

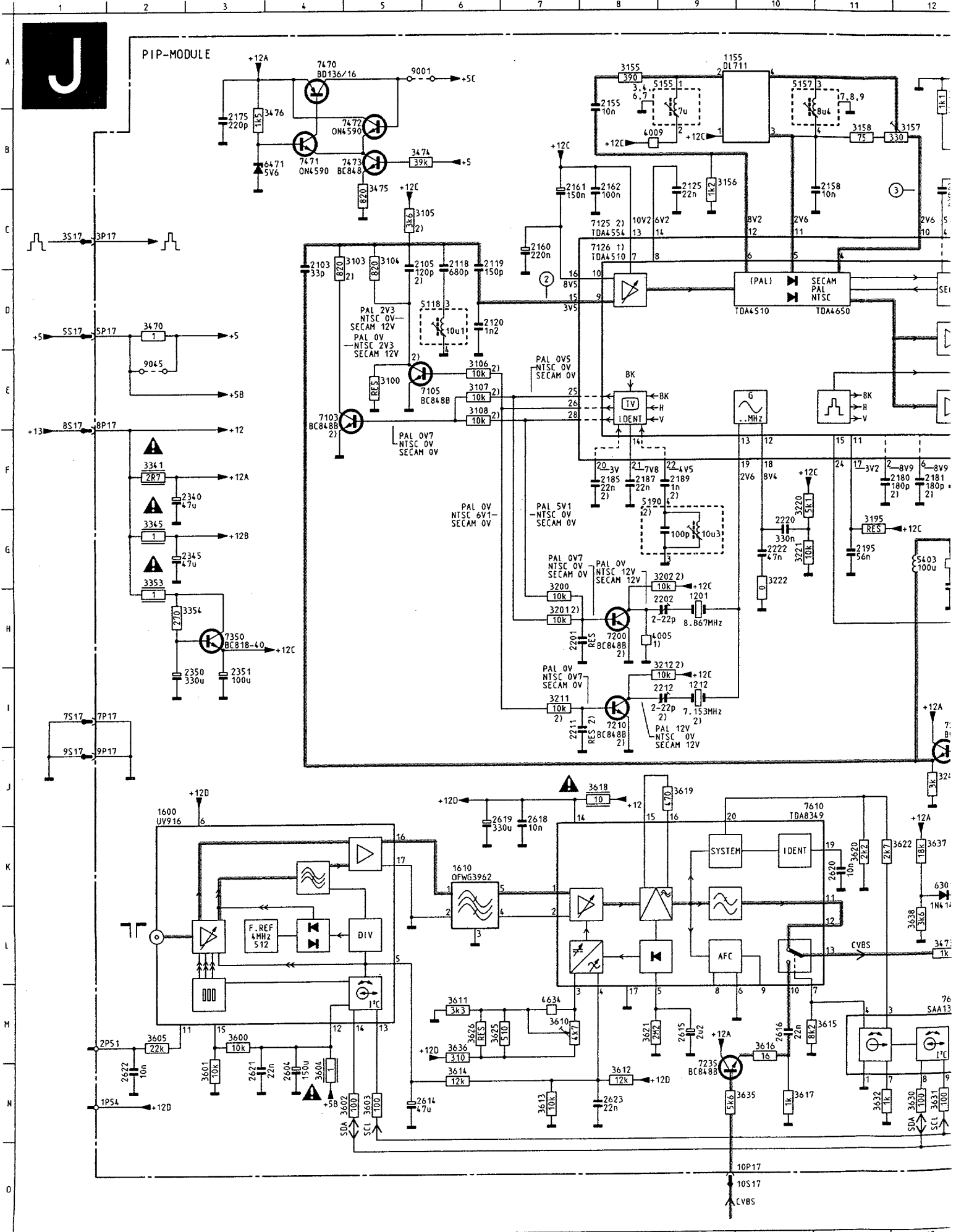
D

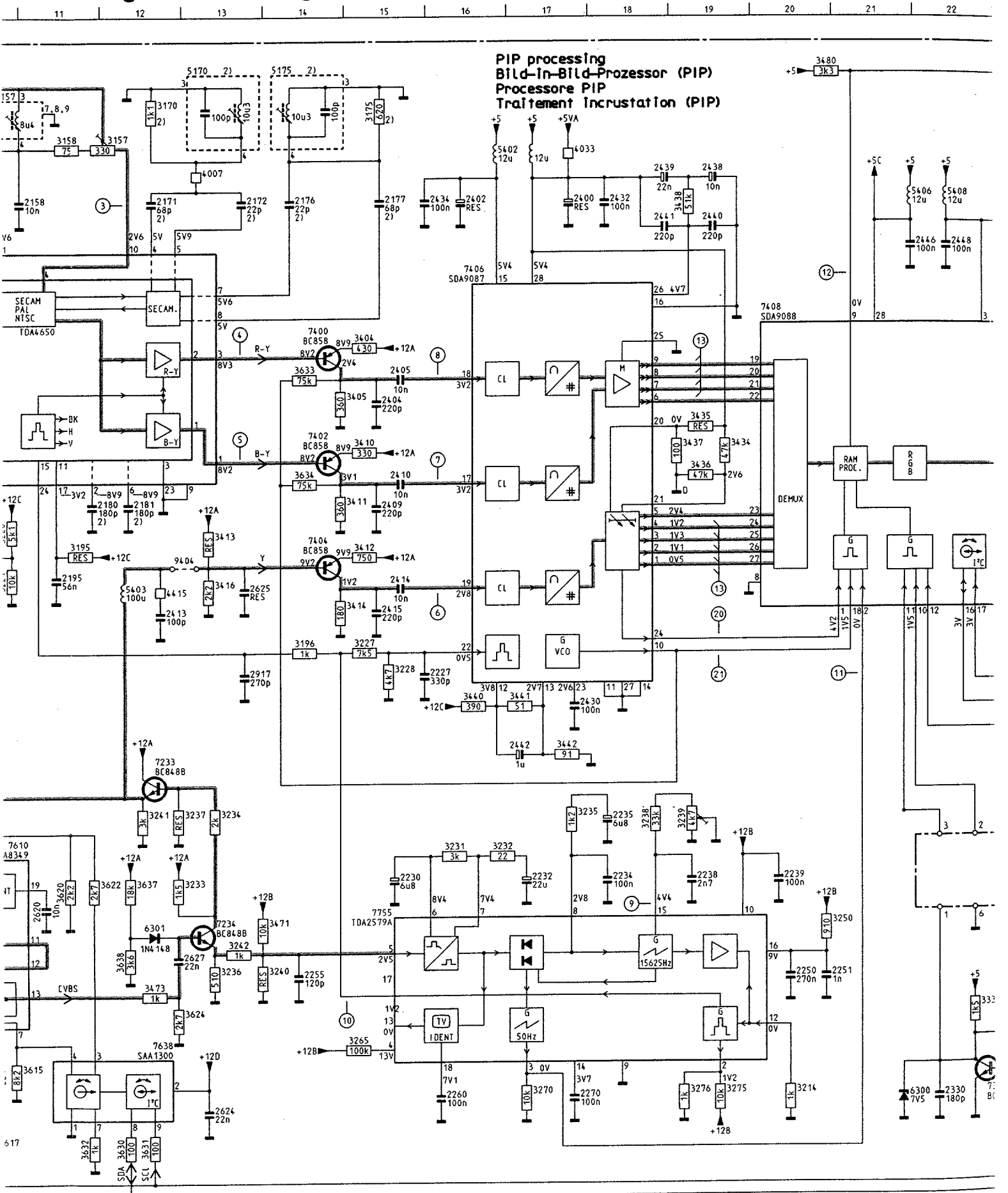


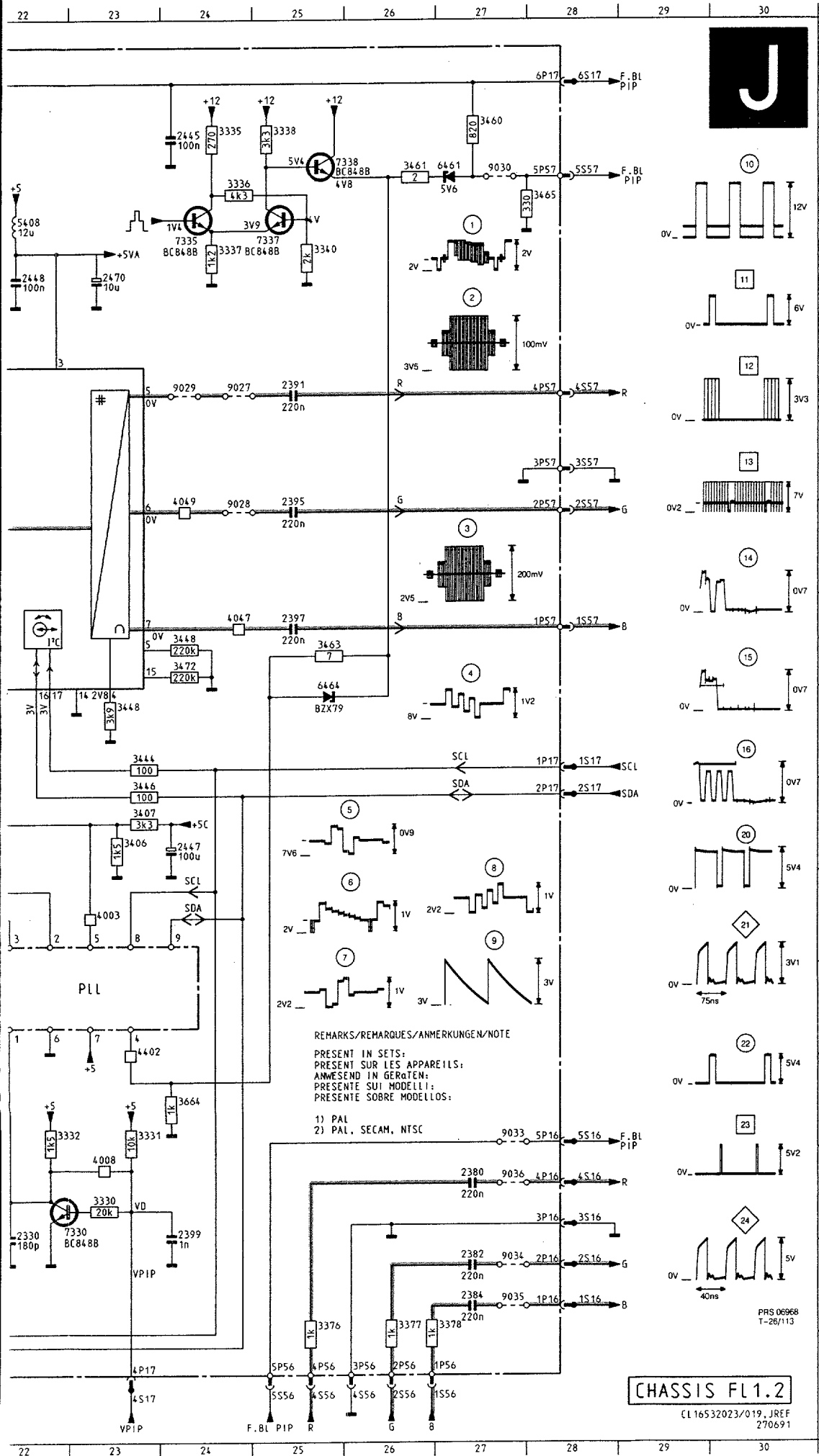
1379	G10	3388	B16	9381	M 8
1380	G10	3389	F13	9382	M 8
1420	B19	3390	G13	9387	M 8
2301	I 5	3391	H13	9392	M23
2305	I 7	3392	J18	9403	J21
2306	J 8	3393	J18	9404	K21
2307	J 8	3394	J18	9441	B23
2310	I 2	3395	H13	9452	I28
2311	J 5	3396	I13	9453	J28
2312	H 5	3397	L 5	9454	K28
2318	I 8	3398	M17	9456	G26
2324	I10	3399	M17	9457	H28
2328	B 1	3410	G29	9457	E21
2342	C 5	3425	H24	9458	G26
2343	C 4	3426	H24		
2344	D 4	3433	H22		
2345	C 6	3441	H22		
2347	D 5	3449	H21		
2353	E 6	3450	M29		
2354	C 8	3451	M29		
2360	N 3	3453	K28		
2361	N 4	3454	J29		
2365	B10	3455	J29		
2366	C 8	3456	I29		
2367	D 7	3465	M22		
2368	E 7	3474	I21		
2369	C 9	3475	L25		
2371	C11	3476	M25		
2372	G12	3477	M26		
2373	G12	3478	M27		
2374	G 8	3479	M26		
2375	G 8	3480	L20		
2376	G 9	3481	L20		
2377	G 9	3482	M19		
2378	H 8	3483	M20		
2379	G10	3492	O25		
2380	G10	3882	I14		
2381	G11	4025	H13		
2382	E13	4118	K15		
2383	C12	4164	M16		
2384	D13	4210	B17		
2385	E13	4302	I11		
2386	G15	4319	I 3		
2387	C16	4320	I 3		
2388	C15	4330	I 1		
2390	J15	4331	H10		
2391	J15	4346	D 4		
2392	J15	4376	H 9		
2395	H17	4377	K18		
2396	H16	4386	B15		
2397	H17	4420	J 5		
2398	I18	4443	O24		
2399	H18	4450	C13		
2400	H18	4452	K29		
2433	I22	4455	M25		
2434	J22	4477	E25		
2435	J22	4498	N 5		
2436	I22	5303	J21		
2438	G22	5304	K21		
2440	G22	5305	J 7		
2442	H22	5310	I 3		
2445	K26	5345	C 6		
2446	K27	5346	D 4		
2447	K27	5370	B10		
2451	K26	5454	J28		
2452	M28	5455	J28		
2453	M28	5456	I28		
2454	K29	6205	M15		
2455	J29	6206	M15		
2456	I29	6207	M15		
2467	M26	6342	C 4		
2478	M26	6343	C 4		
2479	M25	6385	F13		
2480	M19	6387	C17		
3300	H 6	6450	L26		
3301	H 6	6465	M22		
3303	J 6	6470	E24		
3304	J 6	6471	F25		
3305	H 6	6478	M27		
3306	J 6	6479	L26		
3310	K 7	6480	M20		
3311	I 2	6481	M22		
3312	I 3	7305	H 6		
3313	H 3	7311	K 8		
3314	H 4	7312	H 4		
3315	J 3	7313	J 4		
3316	I 2	7314	J 5		
3317	J 2	7315	J 3		
3323	K10	7324	I 9		
3324	K 7	7326	L 8		
3325	K10	7338	F 2		
3326	L10	7350	E 3		
3327	K10	7360	N 4		
3329	K 9	7364	D 8		
3336	F 3	7365	C 7		
3337	E 6	7366	C14		
3338	B 2	7390	I13		
3339	B 2	7395	H15		
3342	B 3	7410	G25		
3344	C 3	7430	H22		
3350	D 3	7450	L29		
3351	E 4	7451	L28		
3353	D 6	7480	M21		
3360	M 4	7492	N25		
3361	N 4	9084	B22		
3369	C10	9118	B22		
3370	B10	9210	M15		
3371	B10	9234	L10		
3372	C10	9238	M16		
3376	H 9	9252	L16		
3377	G 9	9254	L12		
3380	C11	9317	K10		
3383	F13	9327	G17		
3384	G14	9328	G17		
3385	G15	9372	N 8		
3387	B16	9380	H29		

CHASSIS FL1.2

CL16532023/014, DREF 270691

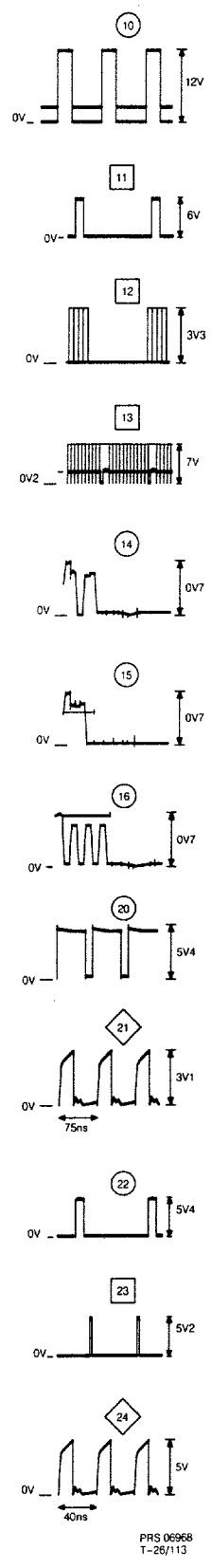
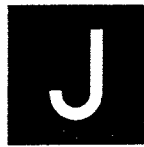






REMARKS/REMARQUES/ANMERKUNGEN/NOTE
 PRESENT IN SETS:
 PRESENT SUR LES APPAREILS:
 ANWESEND IN GERÄTEN:
 PRESENTE SUI MODELLI:
 PRESENTE SOBRE MODELLOS:

- 1) PAL
- 2) PAL, SECAM, NTSC



1155	A 9	3222	G10	5175	A14
1201	H 9	3227	H15	5190	G 8
1212	I 9	3228	H15	5402	B16
1600	J 2	3231	J16	5403	G12
1610	K 6	3232	K16	5406	C21
2103	O 4	3233	K13	5408	C22
2105	O 5	3234	J13	6300	M21
2118	O 6	3235	J17	6301	K12
2119	O 6	3236	L13	6461	B27
2120	O 6	3237	J13	6464	H25
2125	C 9	3238	J18	6471	B 3
2155	B 8	3239	J19	7103	E 4
2158	C11	3240	L14	7105	E 5
2160	C 7	3241	J12	7125	C 8
2161	C 7	3242	L13	7126	C 8
2162	C 8	3250	K21	7200	H 8
2171	C12	3265	M15	7210	I 8
2172	C13	3270	M17	7233	I12
2175	B 3	3275	M19	7234	K13
2176	C14	3276	M19	7235	N 9
2177	C15	3300	M23	7300	M22
2180	F11	3331	L23	7335	C24
2181	F12	3332	L22	7337	C25
2185	F 8	3335	A24	7338	B25
2187	F 8	3336	B24	7350	H 3
2189	F 9	3337	C24	7400	D14
2195	G11	3338	A25	7402	E14
2201	H 7	3340	C25	7404	G14
2202	H 9	3341	F 2	7408	C16
2211	I 7	3345	G 2	7408	D20
2212	I 9	3353	G 2	7470	A 4
2220	G10	3354	H 2	7471	B 4
2222	G10	3376	N25	7472	B 5
2227	H16	3377	N26	7473	B 5
2230	K15	3378	N27	7610	J11
2232	K17	3404	O15	7638	M12
2234	K18	3405	E15	7755	K15
2235	J18	3406	I23	9001	A 5
2238	K19	3407	I23	9027	D24
2239	K20	3410	F15	9028	F24
2250	L20	3411	F15	9029	D24
2251	L21	3412	G15	9030	B27
2255	L14	3413	G13	9033	L27
2260	M16	3414	G15	9034	N27
2270	M17	3416	G13	9035	N27
2330	M22	3434	E19	9036	M27
2340	F 2	3435	E19	9045	E 2
2345	G 2	3436	E19	9404	G13
2350	I 2	3437	E19		
2351	I 3	3438	C19		
2380	M27	3440	I16		
2382	N27	3441	I17		
2384	N27	3442	I17		
2391	D25	3444	H23		
2395	F25	3446	I23		
2397	G25	3448	H23		
2399	M24	3448	G24		
2400	C17	3460	A27		
2402	C16	3461	B26		
2404	E15	3463	G25		
2405	E15	3465	B28		
2409	F15	3470	D 2		
2410	F15	3471	K14		
2413	H12	3472	G24		
2414	G15	3473	L12		
2415	H15	3474	B 5		
2430	I17	3475	B 5		
2432	C18	3476	B 3		
2434	C16	3480	A20		
2438	B19	3600	M 3		
2439	B18	3601	N 3		
2440	C19	3602	N 5		
2441	C18	3603	N 5		
2442	I17	3604	N 4		
2445	B24	3605	M 2		
2446	C22	3610	M 7		
2447	I24	3611	M 6		
2448	C22	3612	N 8		
2470	C23	3613	N 7		
2604	N 4	3614	N 6		
2614	N 5	3615	M11		
2615	M 9	3616	M10		
2616	M10	3617	N10		
2618	K 7	3618	J 8		
2619	K 6	3619	J 9		
2620	K11	3620	K11		
2621	N 3	3621	M 8		
2622	N 2	3622	K12		
2623	N 8	3624	L13		
2624	M13	3625	M 6		
2625	G13	3626	M 6		
2627	L13	3630	N12		
2917	H13	3631	N12		
3100	E 5	3632	N11		
3103	C 5	3633	E14		
3104	C 5	3634	F14		
3105	C 5	3635	N10		
3106	E 6	3636	M 6		
3107	E 6	3637	K12		
3108	E 6	3638	L12		
3155	A 8	3664	L24		
3156	B 9	4003	J23		
3157	B12	4005	H 8		
3158	B11	4007	B13		
3170	A12	4008	M23		
3175	A15	4009	B 8		
3195	G11	4033	B17		
3196	H14	4047	G24		
3200	H 7	4049	F24		
3201	H 7	4402	K23		
3202	G 9	4415	G12		
3211	I 7	4634	M 7		
3212	I 9	5118	D 5		
3214	M20	5155	A 8		
3220	G10	5157	A10		
3221	G10	5170	A13		

CHASSIS FL1.2
 CL16532023/019, JREF
 270691

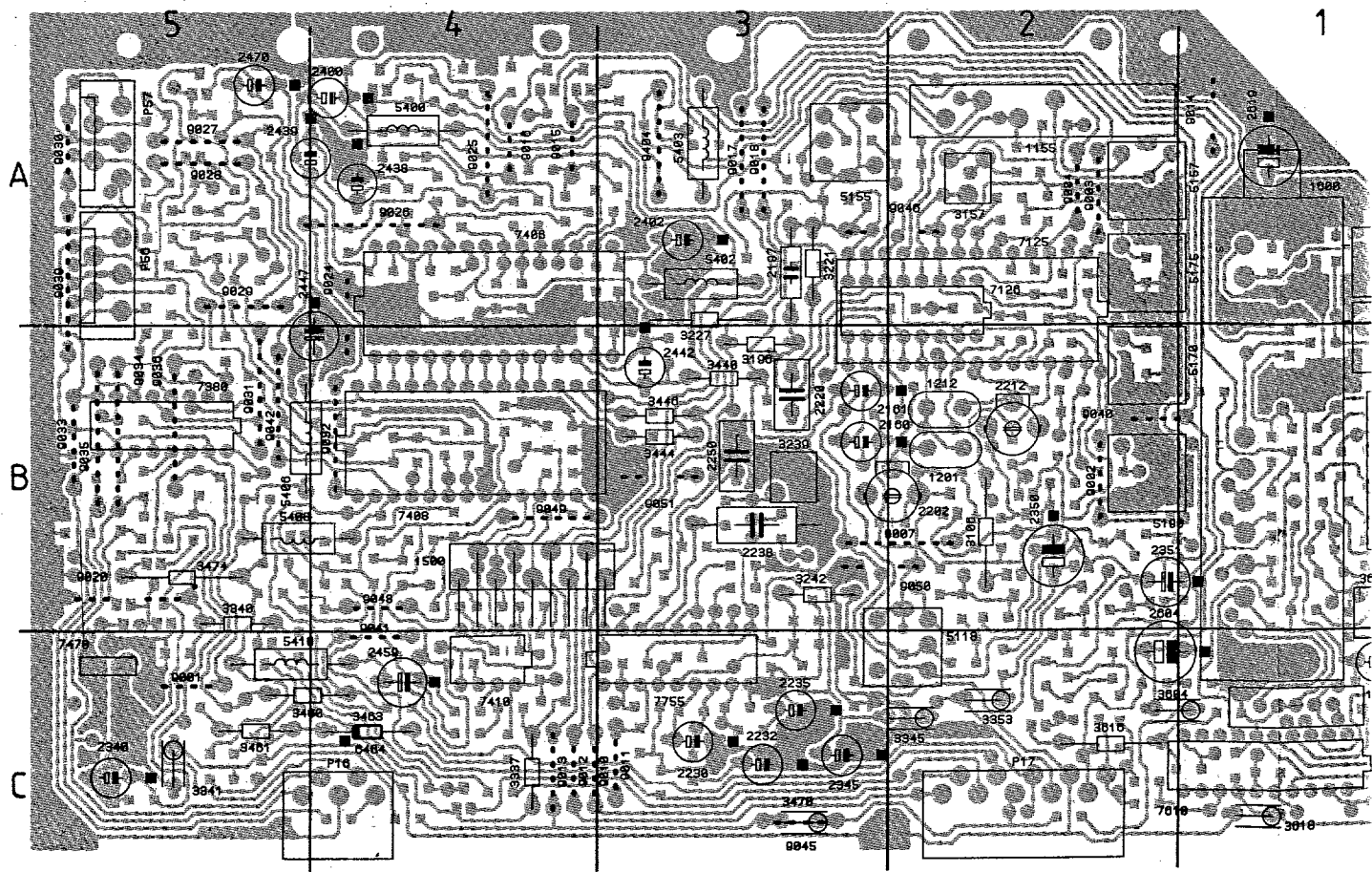
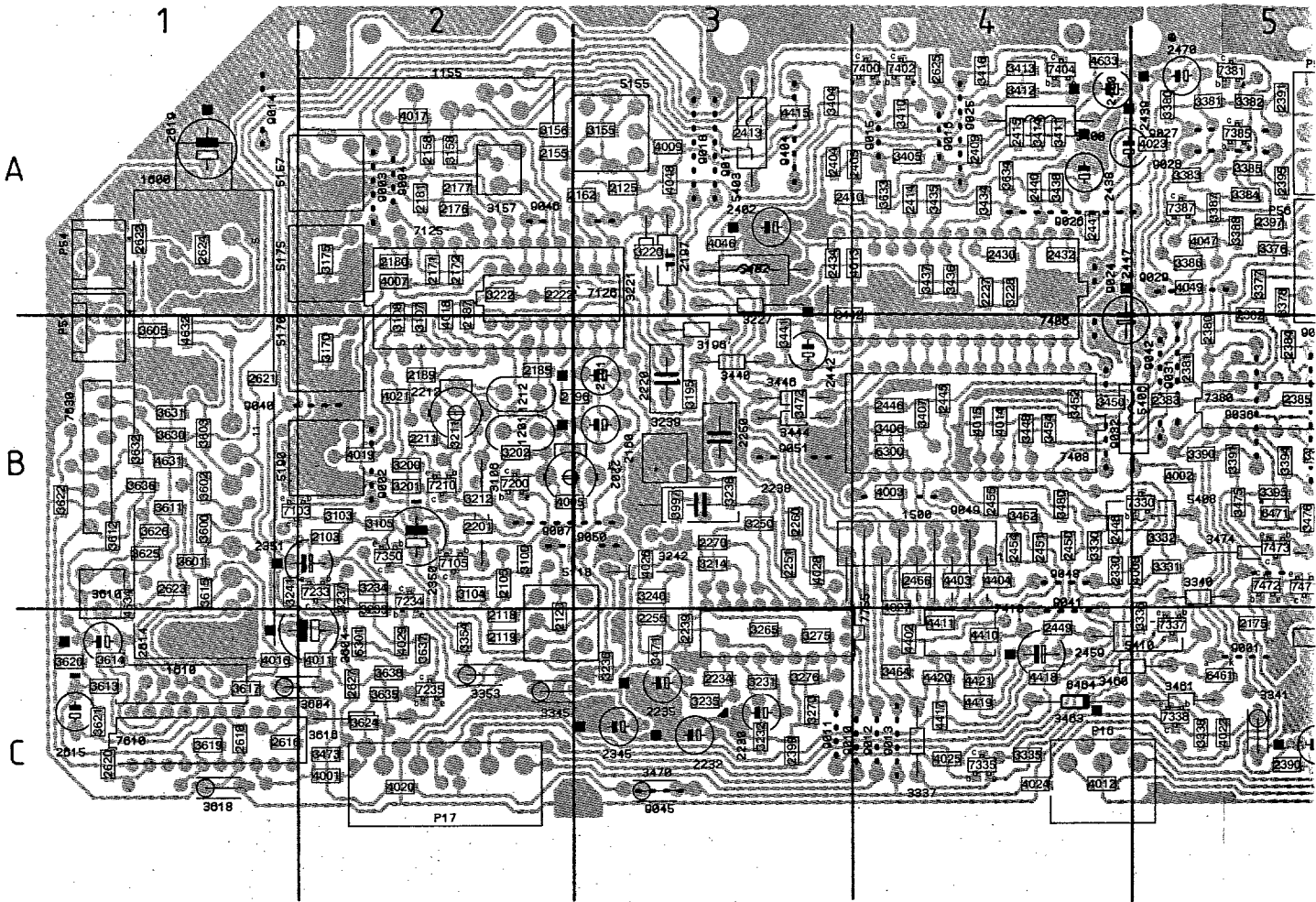
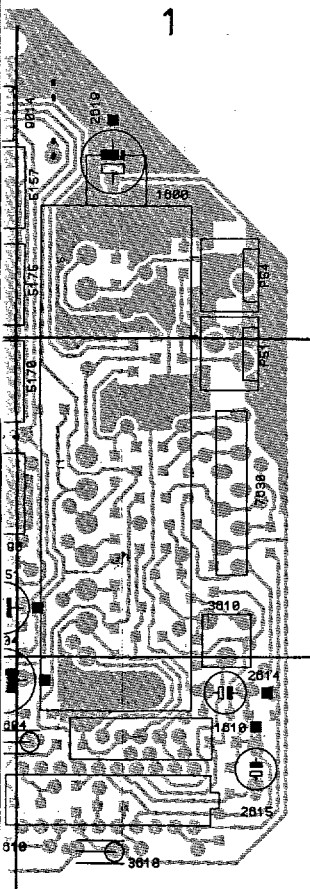
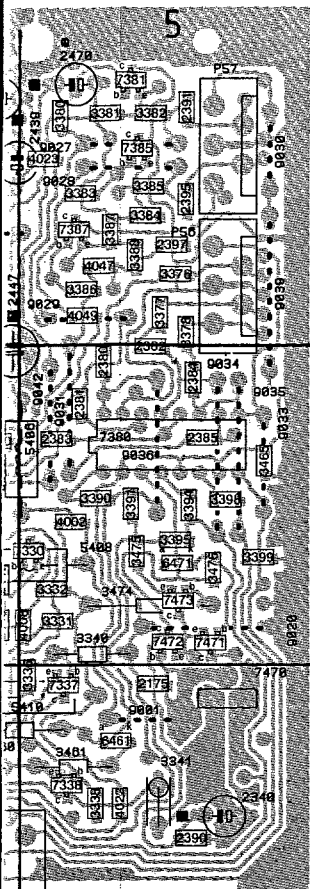
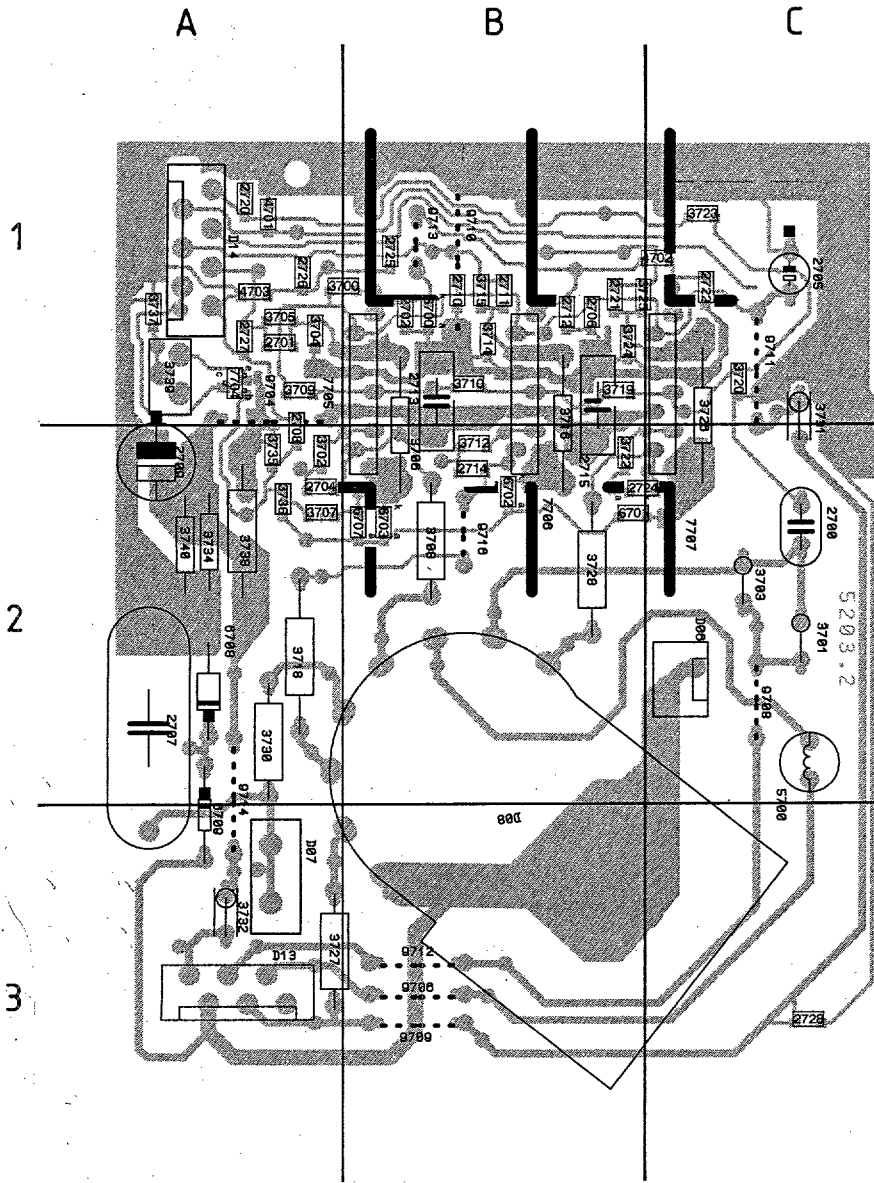


Image dans L'image

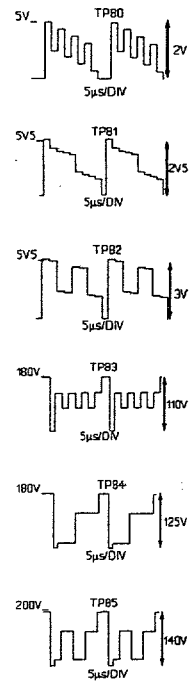


1155 A2	2430 A4	3250 B3	3475 B5	4418 C4	9020 B5
1201 B2	2432 A4	3265 C3	3476 B5	4419 C4	9024 A4
1212 B2	2434 A3	3270 C3	3480 B4	4420 C4	9025 A4
1500 B4	2438 A4	3275 C3	3600 B1	4421 C4	9026 A4
1600 A1	2439 A5	3278 C3	3601 B1	4631 B1	9027 A5
1610 C1	2440 A4	3330 B4	3602 B1	4632 B1	9028 A5
2103 B2	2441 A4	3331 B5	3603 B1	4633 A4	9029 A5
2105 B2	2442 B3	3332 B5	3604 C1	4634 B1	9030 A5
2118 C2	2445 B4	3335 C4	3605 B1	5118 B2	9031 B5
2119 C2	2446 B4	3336 C5	3610 B1	5155 A3	9032 B4
2120 C2	2447 A4	3337 C4	3611 B1	5157 A1	9033 B5
2125 A3	2448 B4	3338 C5	3612 B1	5170 B2	9034 B5
2155 A2	2449 C4	3340 B5	3613 C1	5175 A1	9035 B5
2158 A2	2450 B4	3341 C5	3614 C1	5190 B2	9036 B5
2160 B3	2451 B4	3345 C2	3615 B2	5400 A4	9039 A5
2161 B3	2454 B4	3353 C2	3616 C1	5402 A3	9040 B2
2162 A3	2455 B4	3354 C2	3617 C1	5403 A3	9041 C4
2171 A2	2459 C4	3376 A5	3618 C1	5406 B5	9042 B5
2172 A2	2466 B4	3377 A5	3619 C1	5408 B5	9045 C3
2175 C5	2470 A5	3378 A5	3620 C1	5410 C5	9046 A2
2176 A2	2604 C3	3380 A5	3621 C1	6300 B4	9048 B4
2177 A2	2614 C1	3381 A5	3622 B1	6301 C2	9049 B4
2180 A2	2615 C1	3382 A5	3624 C2	6461 C5	9050 B3
2181 A2	2616 C1	3383 A5	3625 B1	6464 C4	9051 B3
2185 B2	2618 C1	3384 A5	3626 B1	6471 B5	9051 B3
2189 B2	2619 A1	3385 A5	3630 B1	7103 B2	P016 C4
2196 B2	2620 C1	3386 A5	3631 B1	7105 B2	P017 C2
2197 A3	2621 B1	3387 A5	3633 A4	7125 A2	P051 B1
2201 B2	2622 A1	3388 A5	3634 A4	7126 A3	P054 A1
2202 B3	2623 B2	3390 B5	3635 C2	7200 B2	P056 A5
2211 B2	2625 A4	3391 B5	3636 B1	7210 B2	P057 A5
2212 B2	2627 C2	3394 B5	3637 C2	7233 B2	
2220 B3	3100 B2	3395 B5	3638 C2	7234 B2	
2222 A2	3103 B2	3398 B5	3997 B3	7235 C2	
2227 A4	3104 B2	3399 B5	4001 C2	7330 B5	
2230 C3	3105 B2	3404 A3	4002 B5	7335 C4	
2232 C3	3106 B2	3405 A4	4003 B4	7337 C5	
2234 C3	3107 A2	3406 B4	4005 B3	7338 C5	
2235 C3	3108 A2	3407 B4	4007 A2	7350 B2	
2238 B3	3155 A3	3410 A4	4008 B5	7380 B5	
2239 E3	3156 A2	3411 A4	4009 A3	7381 A5	
2250 B3	3157 A2	3412 A4	4011 C2	7385 A5	
2251 B3	3158 A2	3413 A4	4012 C4	7387 A5	
2255 C3	3170 B2	3414 A4	4013 A4	7400 A4	
2260 B3	3175 A2	3416 A4	4014 B4	7402 A4	
2270 B3	3195 B3	3434 A4	4015 B4	7404 A4	
2330 B4	3196 B3	3435 A4	4016 C1	7406 A4	
2340 C5	3200 B2	3436 A4	4017 A2	7408 B4	
2345 C3	3201 B2	3437 A4	4018 A2	7410 C4	
2350 B2	3202 B2	3438 A4	4019 B2	7470 C5	
2351 B2	3211 B2	3440 B3	4020 C2	7471 B5	
2380 B5	3212 B2	3441 B3	4021 B2	7472 B5	
2381 B5	3213 B3	3442 A3	4022 C5	7473 B5	
2383 B5	3220 A3	3444 B3	4024 C4	7610 C1	
2384 B5	3221 A3	3446 B3	4025 C4	7630 B1	
2385 B5	3222 A2	3448 B4	4026 B3	7755 C3	
2390 C5	3227 A3	3450 B4	4027 B4	9001 C5	
2391 A5	3228 A4	3452 B4	4028 B3	9002 B2	
2395 A5	3231 C3	3454 B4	4029 C2	9003 A2	
2397 A5	3232 C3	3460 C5	4046 A3	9004 A2	
2399 C3	3233 C2	3461 C5	4047 A5	9007 B2	
2400 A4	3234 B2	3462 B4	4048 A3	9010 C3	
2402 A3	3235 C3	3463 C4	4049 A5	9011 C3	
2404 A3	3236 C3	3464 C4	4402 C4	9012 C4	
2405 A4	3237 B2	3465 B5	4403 B4	9013 C4	
2409 A4	3238 B3	3470 C3	4404 B4	9014 A1	
2410 A4	3239 B3	3471 C3	4410 C4	9015 A4	
2413 A3	3240 B3	3472 B3	4411 C4	9016 A4	
2414 A4	3241 B1	3473 C2	4415 A3	9017 A3	
2415 A4	3242 B3	3474 B5	4417 C4	9018 A3	

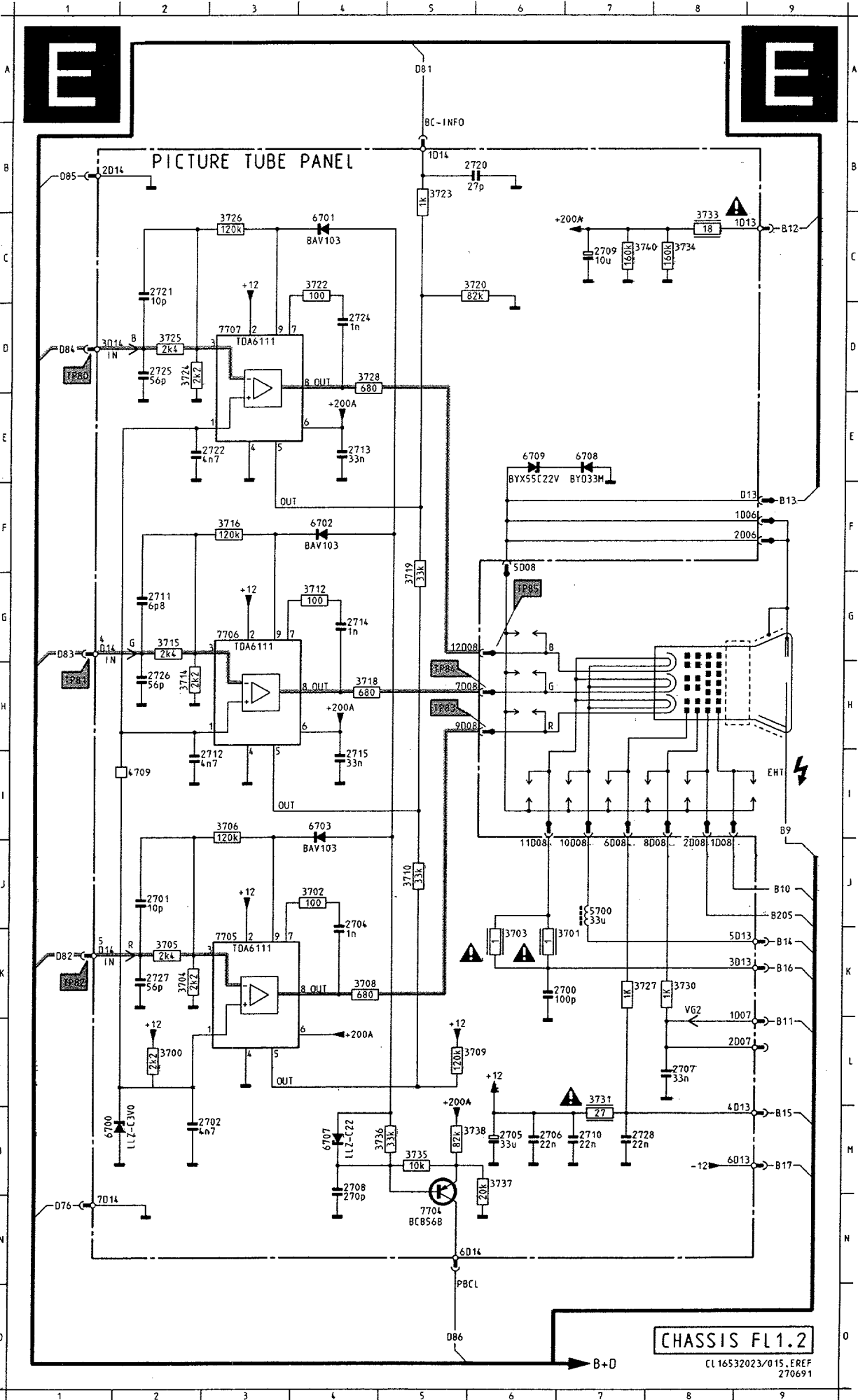


- 2700 C2
- 2701 A1
- 2702 B1
- 2704 A2
- 2705 C1
- 2706 B1
- 2707 A2
- 2708 A2
- 2709 A2
- 2710 A1
- 2711 B1
- 2712 B1
- 2713 B1
- 2714 B2
- 2715 B2
- 2720 A1
- 2721 B1
- 2722 C1
- 2724 B2
- 2725 B1
- 2726 A1
- 2727 A1
- 2728 C3
- 3700 A2
- 3701 C2
- 3702 A2
- 3703 C2
- 3704 A1
- 3705 A1
- 3706 B2
- 3707 A2
- 3708 B2
- 3709 A1
- 3710 B1
- 3712 B2
- 3714 B1
- 3715 B1
- 3716 B1
- 3718 A2
- 3719 B1
- 3720 C1
- 3722 B2
- 3723 C1
- 3724 B1
- 3725 B1
- 3726 C1
- 3727 A3
- 3728 B2
- 3730 A2
- 3731 C1
- 3732 A3
- 3734 A2
- 3735 A2
- 3736 A2
- 3737 A1
- 3738 A2
- 3739 A1
- 3740 A2
- 4701 A1
- 4702 C1
- 4703 A1
- 5700 C2
- 5700 A1
- 5701 B2
- 5702 B2
- 5703 B2
- 5707 B2
- 5708 A2
- 5709 A3
- 7704 A1

- 7705 A1
- 7706 B2
- 7707 C1
- 9704 A1
- 9706 B3
- 9708 C2
- 9709 B3
- 9710 B1
- 9711 C1
- 9712 B3
- 9713 B1
- 9714 A2
- 9716 B2
- D06 C2
- D07 A3
- D08 B3
- D13 A3
- D14 A1

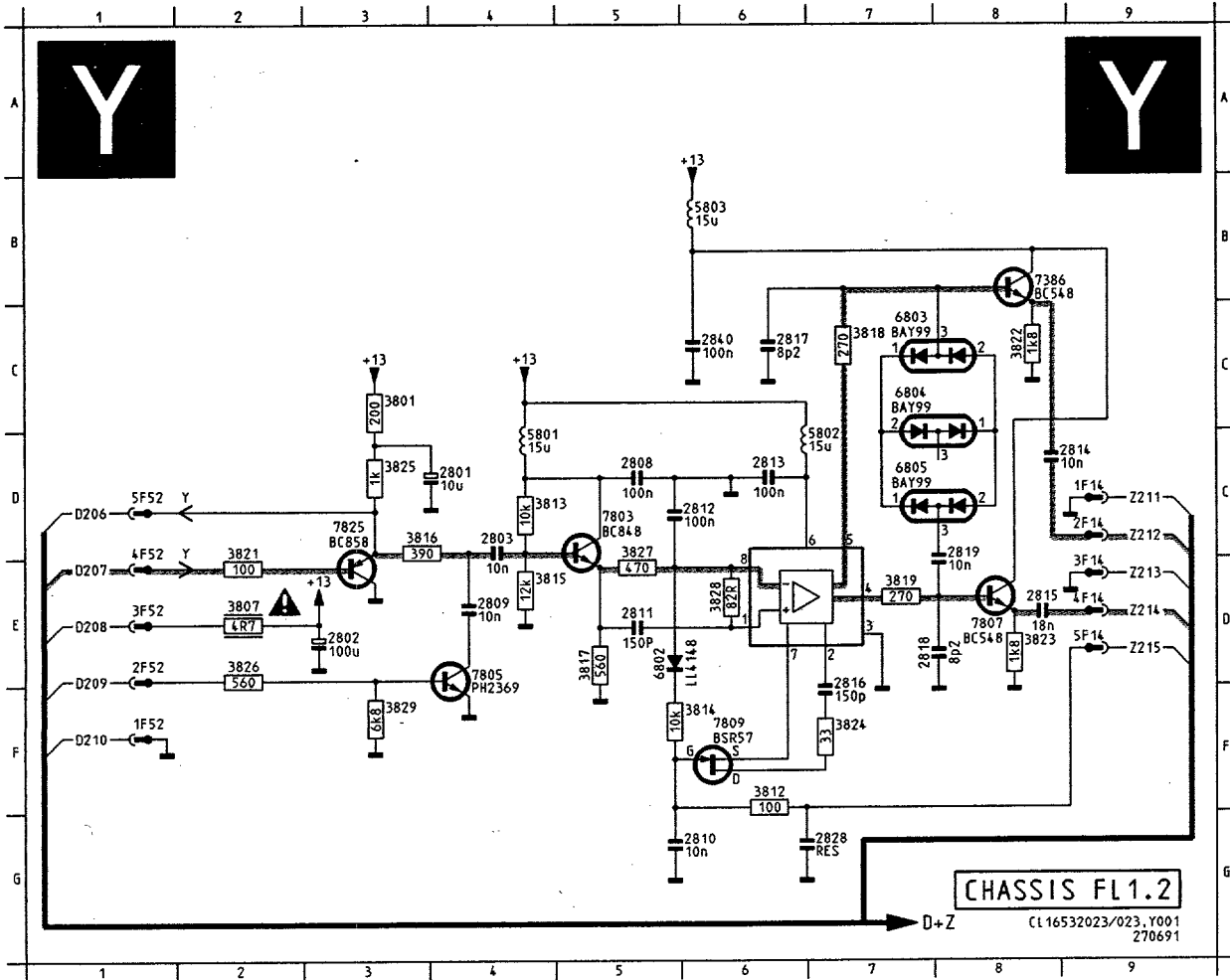


A
B
C
D
E
F
G
H
I
J
K
L
M
N
O



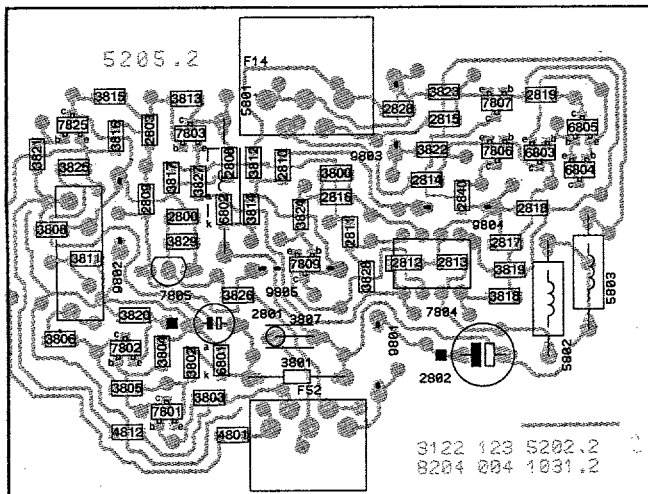
2700	K 6
2701	J 2
2702	M 2
2704	K 4
2705	M 6
2706	M 6
2707	L 8
2708	M 4
2709	C 7
2710	M 7
2711	G 2
2712	I 2
2713	E 4
2714	G 4
2715	I 4
2720	B 5
2721	C 2
2722	E 2
2724	D 4
2725	D 2
2726	H 2
2727	K 2
2728	M 7
3700	L 2
3701	K 6
3702	J 4
3703	K 6
3704	K 2
3705	K 2
3706	I 3
3708	K 4
3709	L 5
3710	J 5
3712	G 4
3714	H 2
3715	G 2
3716	F 3
3718	H 4
3719	G 5
3720	C 5
3722	C 4
3723	B 5
3724	D 2
3726	C 3
3727	K 7
3728	D 4
3730	K 8
3731	L 7
3733	C 8
3734	C 8
3735	M 5
3736	M 5
3737	M 6
3738	M 5
3740	C 7
4709	I 2
5700	J 7
6700	M 1
6701	C 4
6702	F 4
6703	I 4
6707	M 4
6708	E 7
6709	E 6
7704	N 5
7705	K 3
7706	G 3
7707	D 3

CHASSIS FL1.2
CL 16532023/015. EREF
270691

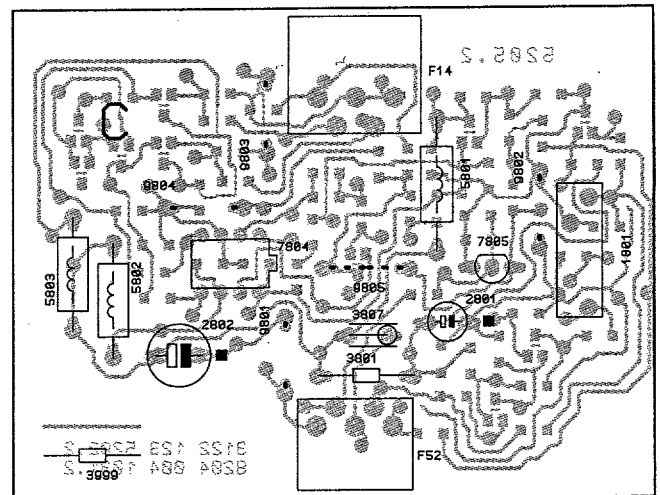


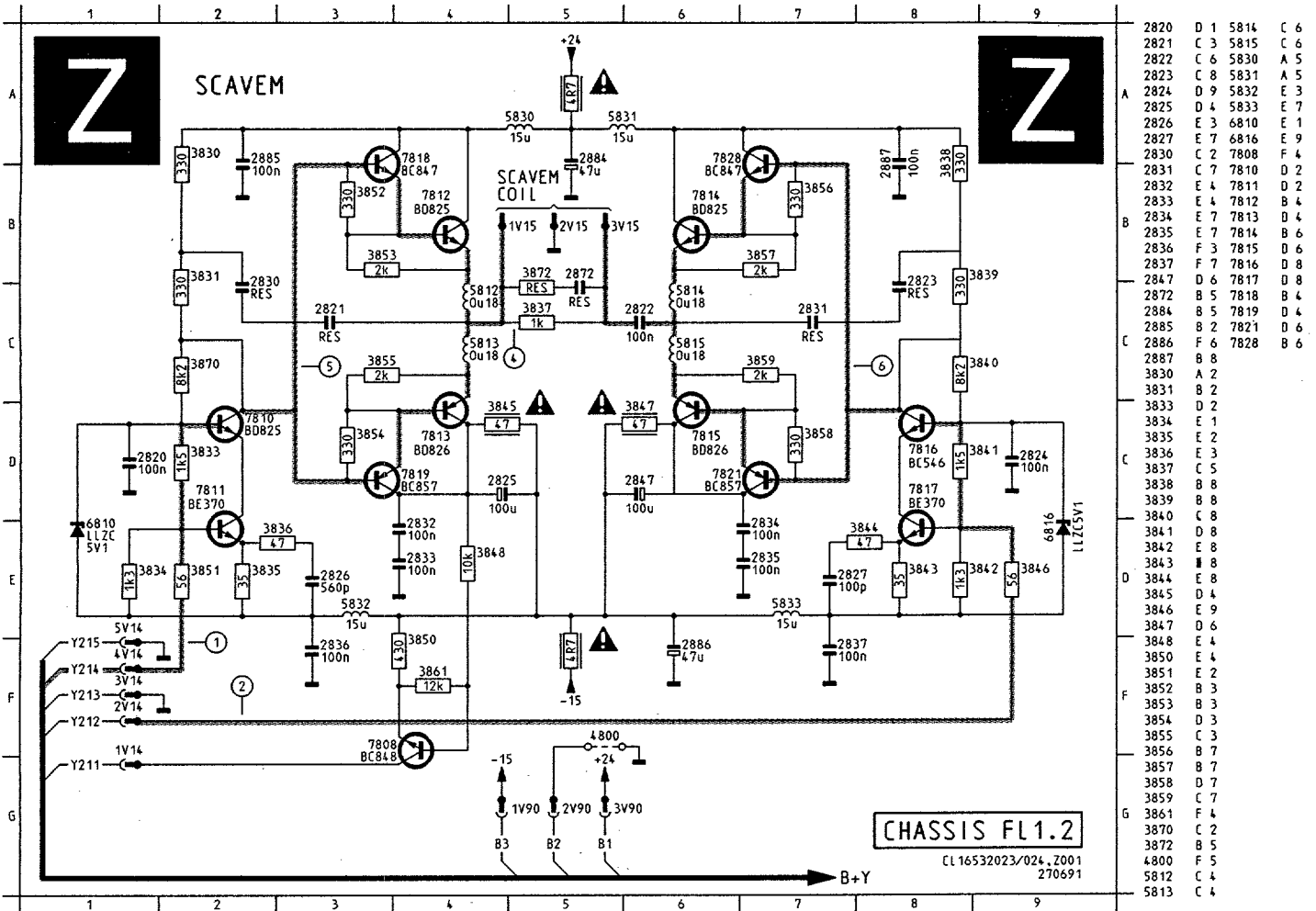
2801	D 4
2802	E 3
2803	D 4
2808	D 5
2809	E 4
2810	G 5
2811	E 5
2812	D 5
2813	D 6
2814	D 8
2815	F 8
2816	F 7
2817	C 6
2818	F 7
2819	F 8
2828	G 7
2840	C 6
3801	C 3
3807	E 2
3812	F 6
3813	D 4
3814	F 5
3815	E 4
3816	D 3
3817	E 5
3818	C 7
3819	E 7
3821	D 2
3822	C 8
3823	F 8
3824	F 7
3825	D 3
3826	E 2
3827	D 5
3828	E 6
3829	F 3
5801	D 4
5802	D 6
5803	B 5
6802	E 5
6803	C 7
6804	C 7
6805	D 7
7386	B 8
7803	D 5
7805	E 4
7807	E 8
7809	F 6
7825	D 3

SCAVEM filter panel

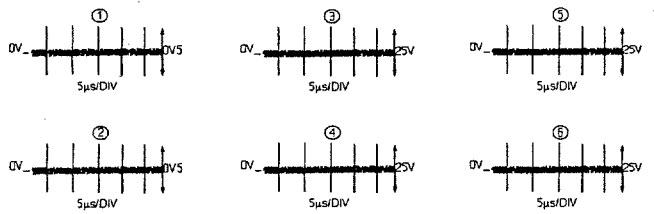


SCAVEM filter panel



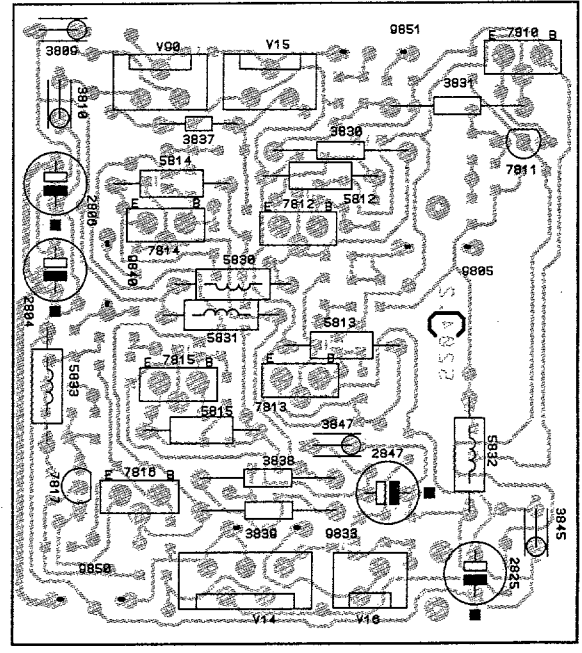
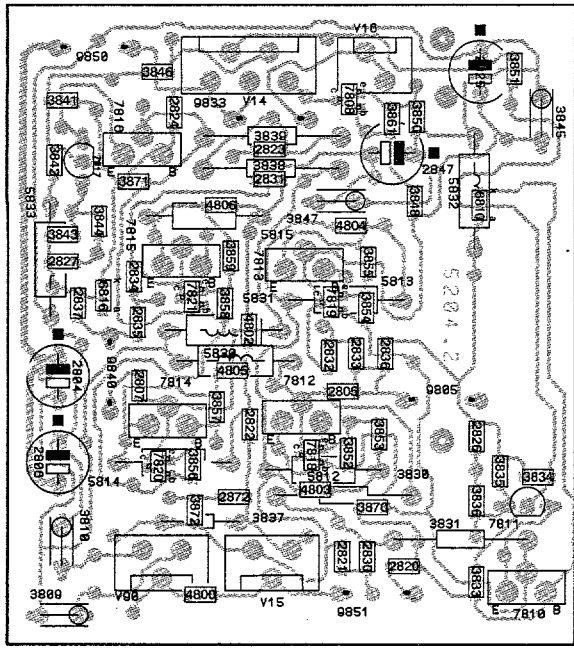


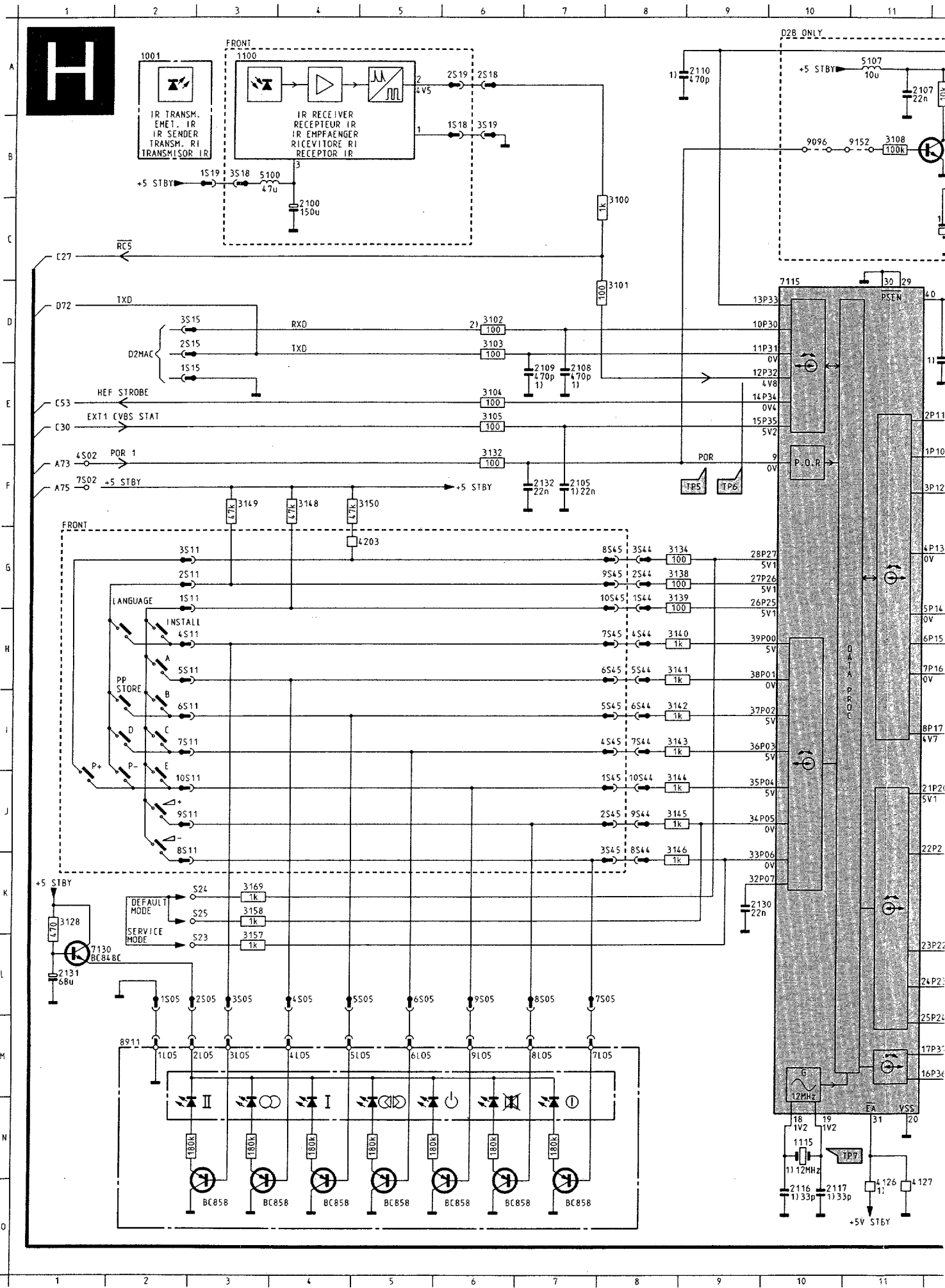
2820	D 1	5814	C 6
2821	C 3	5815	C 6
2822	C 6	5830	A 5
2823	C 8	5831	A 5
2824	D 9	5832	E 3
2825	E 4	5833	E 7
2826	E 3	6810	E 1
2827	E 7	6816	E 9
2830	C 2	7808	F 4
2831	C 4	7810	D 2
2832	E 4	7811	D 2
2833	E 4	7812	B 4
2834	E 7	7813	D 4
2835	E 7	7814	B 6
2836	F 3	7815	D 6
2837	F 7	7816	D 8
2847	D 6	7817	D 8
2872	B 5	7818	B 4
2884	B 5	7819	D 4
2885	B 2	7821	D 6
2886	F 6	7828	B 6
2887	B 8		
3830	A 2		
3831	B 2		
3833	D 2		
3834	E 1		
3835	E 2		
3836	E 3		
3837	C 5		
3838	B 8		
3839	B 8		
3840	C 8		
3841	D 8		
3842	E 8		
3843	B 8		
3844	E 8		
3845	D 4		
3846	E 9		
3847	D 6		
3848	E 4		
3850	E 4		
3851	E 2		
3852	B 3		
3853	B 3		
3854	D 3		
3855	C 3		
3856	B 7		
3857	B 7		
3858	D 7		
3859	C 7		
3861	F 4		
3870	C 2		
3872	B 5		
4800	F 5		
5812	C 4		
5813	C 4		

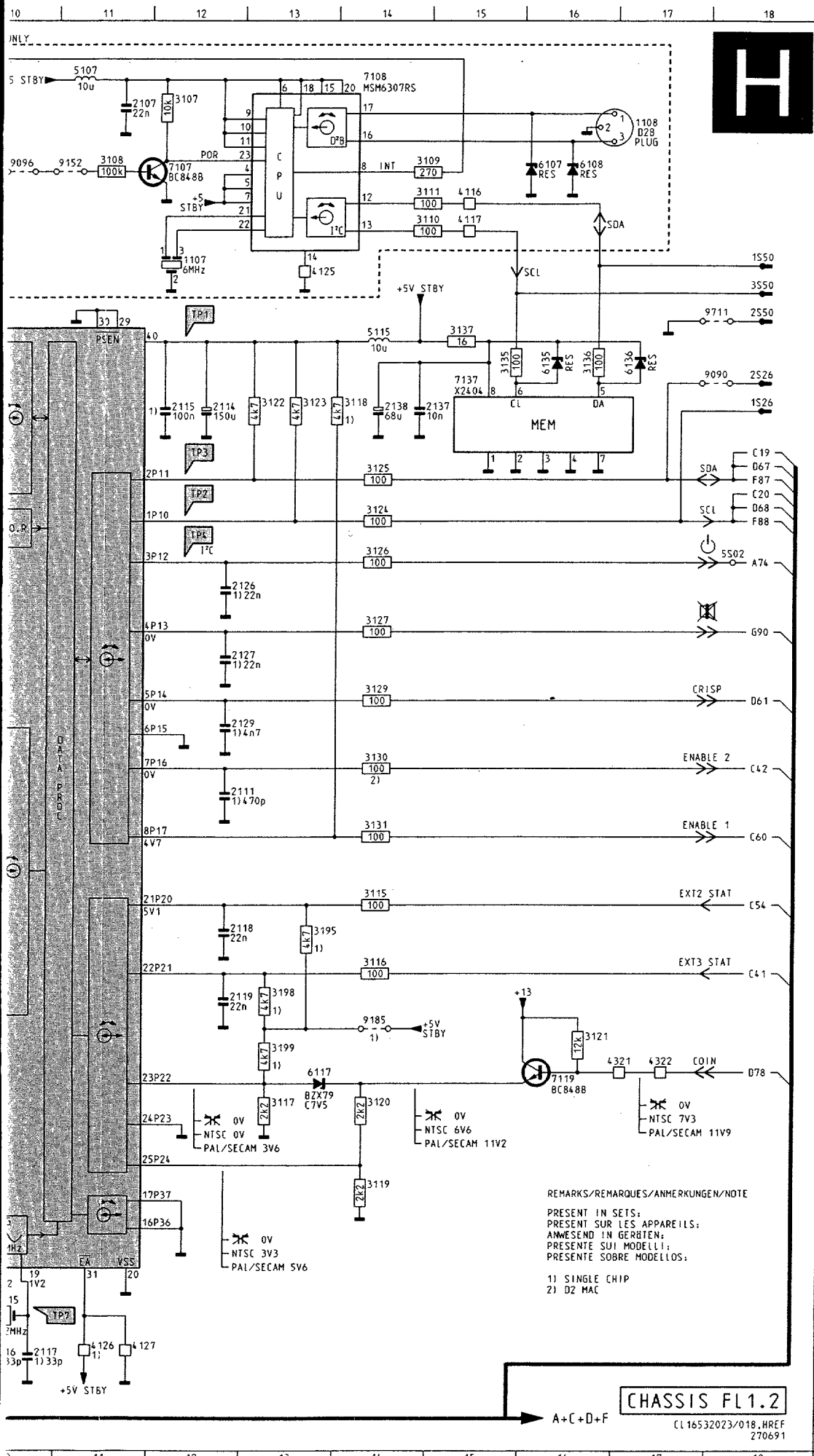


SCAVEM amplifier

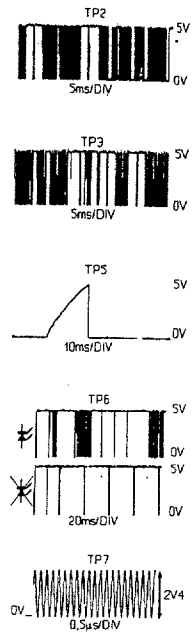
SCAVEM amplifier







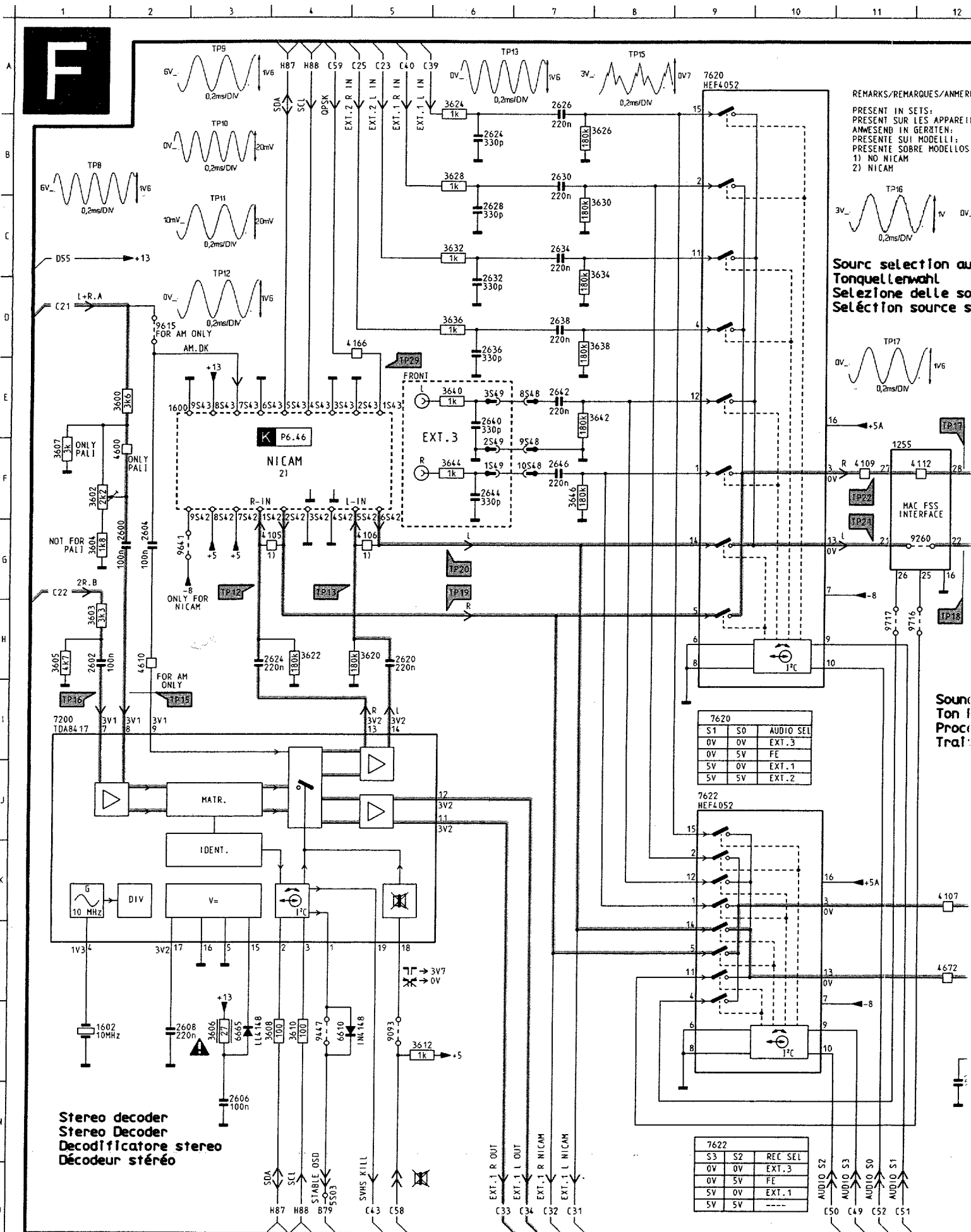
- 1001 A 2
- 1100 A 3
- 1107 C12
- 1108 A17
- 1115 N10
- 2100 C 4
- 2105 F 7
- 2107 A11
- 2108 E 7
- 2109 E 7
- 2110 A 9
- 2111 I12
- 2114 D12
- 2115 D12
- 2116 O10
- 2117 O10
- 2118 J12
- 2119 K12
- 2126 F12
- 2127 G12
- 2129 H12
- 2130 K 9
- 2131 L 1
- 2132 F 7
- 2137 D14
- 2138 D14
- 3100 B 8
- 3101 D 8
- 3102 D 6
- 3103 D 6
- 3104 E 6
- 3105 E 6
- 3107 A12
- 3108 B11
- 3109 B14
- 3110 B14
- 3111 B14
- 3115 J14
- 3116 J14
- 3117 L13
- 3118 D14
- 3119 H14
- 3120 L14
- 3121 K16
- 3122 D13
- 3123 D13
- 3124 F14
- 3125 E14
- 3126 F14
- 3127 G14
- 3128 K 1
- 3129 H14
- 3130 H14
- 3131 I14
- 3132 F 6
- 3134 G 8
- 3135 D15
- 3136 D16
- 3137 D15
- 3138 G 8
- 3139 G 8
- 3140 H 8
- 3141 H 8
- 3142 I 8
- 3143 I 8
- 3144 J 8
- 3145 J 8
- 3146 K 8
- 3148 F 4
- 3149 F 3
- 3150 F 5
- 3157 L 3
- 3158 K 3
- 3159 J13
- 3198 K13
- 3199 K13
- 4116 B15
- 4117 B15
- 4125 C13
- 4126 O11
- 4127 O11
- 4203 G 5
- 4321 L17
- 4322 L17
- 5100 B 3
- 5107 A11
- 5115 D14
- 6107 B16
- 6108 B16
- 6117 L13
- 6135 D16
- 6136 D17
- 7107 B12
- 7108 A14
- M 7119 L16
- 7130 L 1
- 7137 D15
- 8911 M 2
- 9090 D18
- 9096 B10
- 9152 B11
- 9185 K14
- 9711 C18



Control Panel
4822 212 23791

CHASSIS FL1.2

CL 16532023/018, HRF 270691



REMARKS/REMARQUES/ANMERK
 PRESENT IN SETS:
 PRESENT SUR LES APPAREIL
 ANWESEND IN GERÄTEN:
 PRESENTE SUI MODELLI:
 PRESENTE SOBRE MODELLOS:
 1) NO NICAM
 2) NICAM

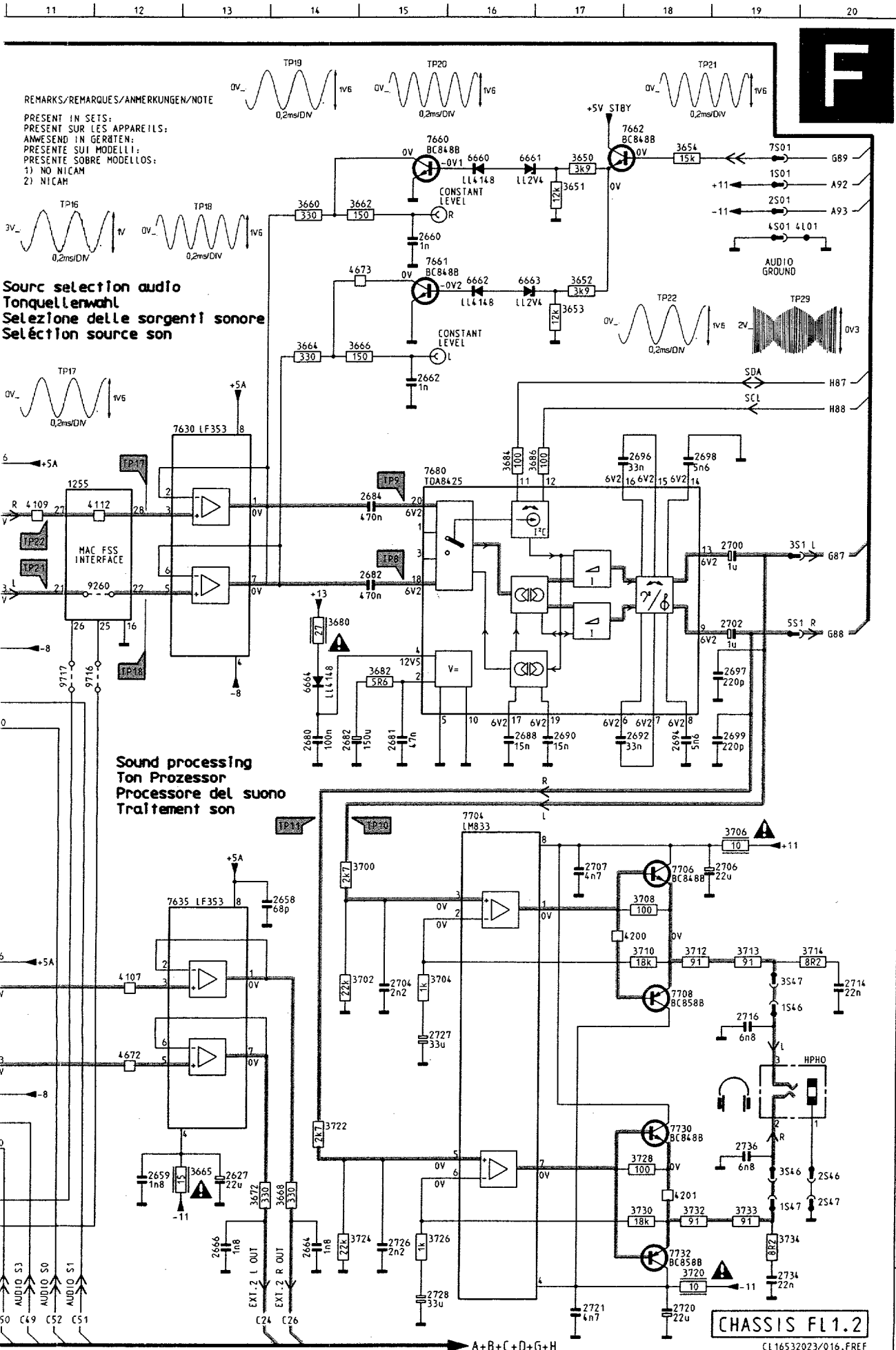
Source selection au
 Tonquellenwahl
 Selezione delle so
 Selección source s

Source
 Ton f
 Proc
 Trait

S1	S0	AUDIO SEL
0V	0V	EXT. 3
0V	5V	FE
5V	0V	EXT. 1
5V	5V	EXT. 2

S3	S2	REC SEL
0V	0V	EXT. 3
0V	5V	FE
5V	0V	EXT. 1
5V	5V	---

Stereo decoder
 Stereo Decoder
 Decodificatore stereo
 Décodeur stéréo



REMARKS/REMARQUES/ANMERKUNGEN/NOTE
 PRESENT IN SETS;
 PRESENT SUR LES APPAREILS;
 ANWESEND IN GERÄTEN;
 PRESENTE SUI MODELLI;
 PRESENTE SOBRE MODELLOS:
 1) NO NICAM
 2) NICAM

Source selection audio
 Tonquellenwahl
 Selezione delle sorgenti sonore
 Selección source son

Sound processing
 Ton Prozessor
 Processore del suono
 Traitement son



1255	F11	4107	K12
1600	E 2	4109	F11
1602	M 1	4112	F12
2600	G 2	4166	D 5
2602	H 1	4200	K18
2604	G 2	4201	N18
2606	N 3	4600	F 2
2608	M 2	4610	H 2
2620	H 5	4672	L12
2624	B 6	4673	C15
2624	H 3	6610	M 5
2626	A 7	6660	B16
2627	H13	6661	B16
2628	C 6	6662	C16
2630	B 7	6663	C16
2632	D 6	6664	H14
2634	C 7	6665	M 3
2636	D 6	7200	I 1
2638	D 7	7620	A 9
2640	E 6	7622	J 9
2642	E 7	7630	E12
2644	F 6	7635	J12
2646	F 7	7660	B15
2658	J14	7661	C15
2659	M12	7662	B17
2660	C15	7680	E15
2662	D15	7704	I16
2664	N14	7706	J16
2666	N13	7708	K18
2680	H14	7730	M18
2681	H15	7732	M18
2682	G15	9093	M 5
2682	H14	9260	G12
2684	F15	9417	M 4
2688	H16	9615	D 2
2690	H17	9641	G 2
2692	H18	9716	H12
2694	H18	9717	H11
2696	E18		
2697	H19		
2698	E18		
2699	H19		
2700	F19		
2702	G19		
2704	K15		
2706	J19		
2707	J17		
2714	K20		
2716	L19		
2720	O18		
2721	O17		
2726	N15		
2727	L15		
2728	O15		
2734	O19		
2736	M19		
3600	E 2		
3602	F 1		
3603	H 1		
3604	G 1		
3605	H 1		
3606	M 3		
3607	F 1		
3608	M 4		
3610	M 4		
3612	M 5		
3620	H 5		
3622	H 4		
3624	A 6		
3626	B 7		
3628	B 6		
3630	C 7		
3632	C 6		
3634	C 7		
3636	D 6		
3638	D 7		
3640	E 6		
3642	E 7		
3644	F 6		
3646	F 7		
3650	B17		
3651	B17		
3652	C17		
3653	D17		
3654	B18		
3660	B14		
3662	B15		
3664	D14		
3665	M13		
3666	D15		
3668	N14		
3672	N13		
3680	G14		
3682	H15		
3684	E16		
3686	E17		
3700	J14		
3702	K14		
3704	K15		
3706	J19		
3708	J18		
3710	K18		
3712	K18		
3713	K19		
3714	K20		
3720	O18		
3722	M14		
3724	N14		
3726	N15		
3728	M18		
3730	N18		
3732	N18		
3733	N19		
3734	N19		
4105	G 4		
4106	G 5		

CHASSIS FL1.2
 CL16532023/016, FREF
 270691